



SENA

YOUR TRUSTED PUMP FOR SMALL TO MEDIUM-SIZED POOLS



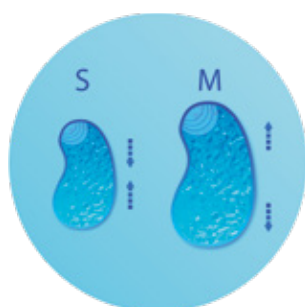
SIMPLE AND RELIABLE

Sena pumps are a simple solution for pumping pool water and water features with low to mid-flow needs. Single speed pumps to be easily installed due to its already included fittings and easy access electrical box. And ensuring reliability at the core of the pool, a classic that came to last.



SMALL-SIZED TO FIT EVERYWHERE

Built to be a compact self-priming pump. All Sena references are shorter than 490 mm and narrower than 200 mm. A pump to fit even in the smallest technical rooms and boxes.



FOR SMALL TO MEDIUM-SIZED POOLS

Available in single-phase and three-phase motors, Sena pumps can service from 6 to 17 m³/h. It withstands all common chemical treatments, including salt water chlorination.

ASTRALPOOL PUMPS. EXCELLENCE AT THE HEART OF THE POOL.

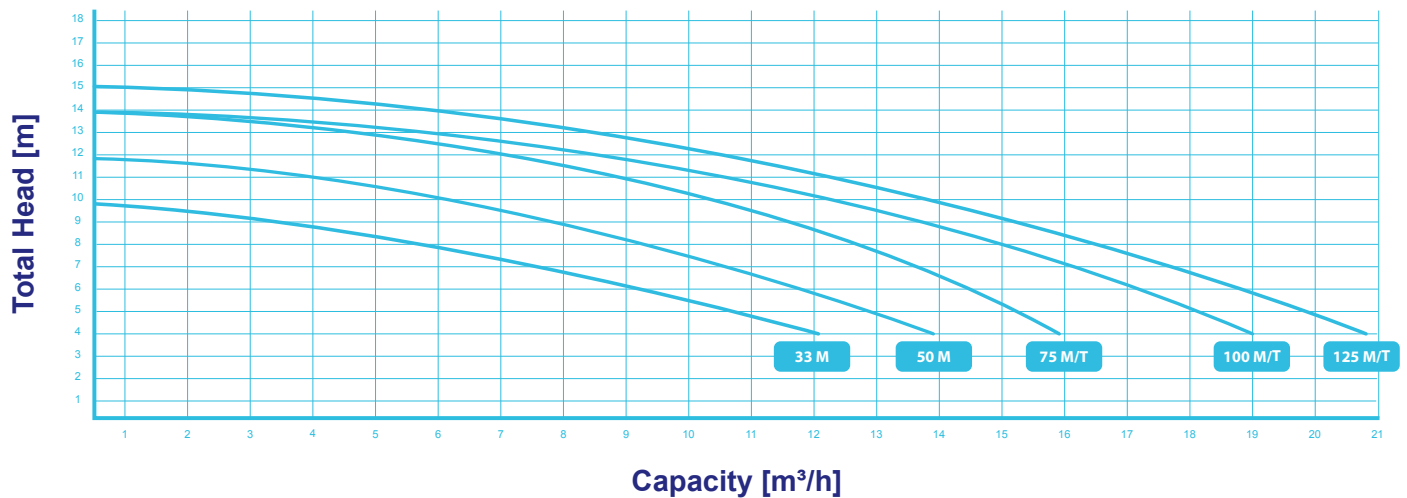


TECHNICAL FEATURES

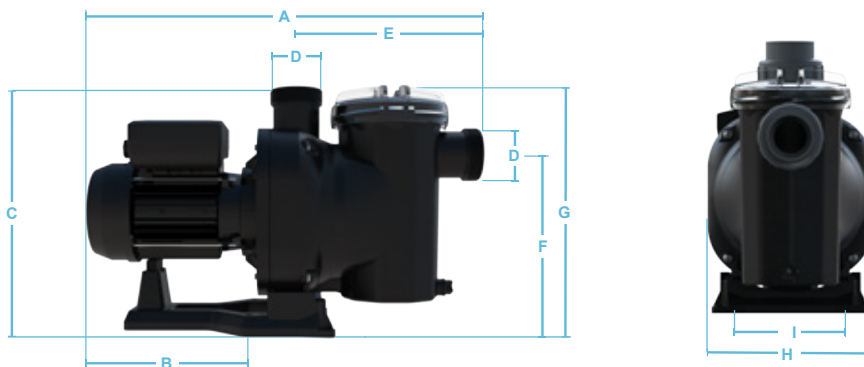
Code	Model	Voltage	Flow at H_N	Nominal Head	Maximum Head	Maximum Flow	Motor Rated Output	Maximum Absorbed Power	Pipe Size	EN 17645 Rating
		U_N	Q_N	H_N	H_{MAX}	Q_{MAX}	P_{2N}	P_{1MAX}	D	
		V	m ³ /h	m	m	m ³ /h	kW	kW	mm	
25461	33M	230	6.7	8	9.8	12.2	0.25	0.40	D50	D
25462	50M	230	9.5	8	11.9	13.9	0.37	0.52	D50	D
25463	75M	230	12.2	8	13.8	15.6	0.55	0.66	D50	D
25464	75T	230/400	12.1	8	13.8	15.5	0.55	0.67	D50	D
25465	100M	230	14.9	8	13.8	19.3	0.55	0.87	D50	D
25466	100T	230/400	14.4	8	13.8	18.8	0.55	0.82	D50	D
25467	125M	230	16.8	8	15.1	20.8	0.75	1.02	D50	D
25468	125T	230/400	17.1	8	15.3	20.5	0.75	0.98	D50	D

Maximum flow at Head of 4 m.c.w

PERFORMANCE



DIMENSIONS



CODE	DIMENSIONS (mm)								
	A	B	C	D	E	F	G	H	I
25461	472,5	191,5	290,5	50	225,5	210,5	293	199	142
25462	472,5	191,5	290,5	50	225,5	210,5	293	199	142
25463	489	208	290,5	50	225,5	210,5	293	199	142
25464	489	208	290,5	50	225,5	210,5	293	199	142
25465	489	208	290,5	50	225,5	210,5	293	199	142
25466	489	208	290,5	50	225,5	210,5	293	199	142
25467	489	208	290,5	50	225,5	210,5	293	199	142
25468	489	208	290,5	50	225,5	210,5	293	199	142

Sena is designed and produced in Europe to be a reliable pump to serve small to medium-sized pools

