



GAVARNIE® SOLAR SHOWER

PREMIUM STYLE AND
SUSTAINABLE EFFICIENCY

Step into luxury with the AstralPool Gavarnie® Solar Shower, where style and sustainability seamlessly combine.

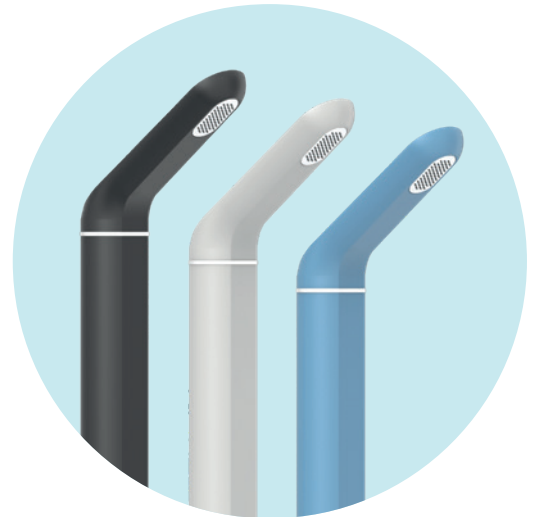


STYLISH AND MINIMALIST DESIGN

Made from aluminum, it is designed to impress with its **minimal and premium style**, featuring straight lines and fully integrated components.

A VARIETY OF COLORS FOR ALL ENVIRONMENTS

Available in various colours to complement any style.



EFFICIENCY AND SUSTAINABILITY IN EVERY USE

AstralPool is deeply committed to the **environmental preservation** and sustainability.

The flow rate of the Gavarnie® Solar Shower is optimized to save water while ensuring comfort and energy efficiency, due to its 35 L hot water tank.



WATER SAVING

As a result of its environmentally friendly flow rate.



ENERGY EFFICIENCY

35 L tank that provides hot water using solar energy, without any power consumption.

GAVARNIE® SOLAR SHOWER



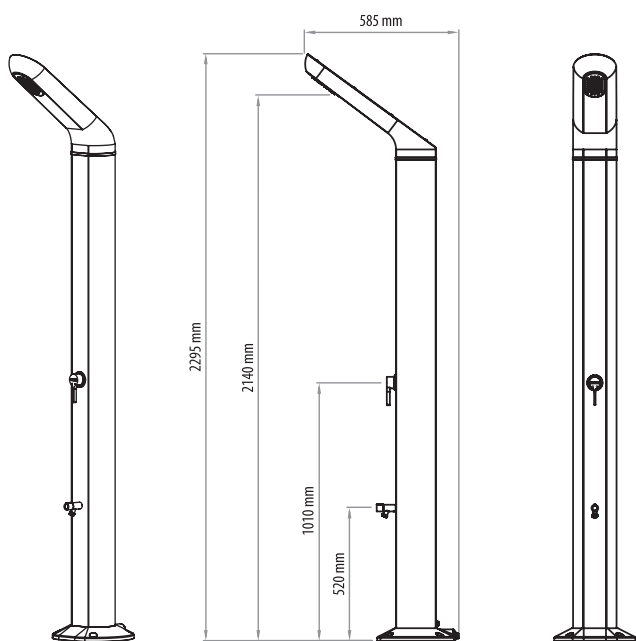
PREMIUM STYLE AND SUSTAINABLE EFFICIENCY

TECHNICAL SPECIFICATIONS

Featuring a **35 L hot water tank** and crafted from durable aluminium, this elegant outdoor shower perfectly combines style and performance.

It comes equipped with an **integrated long sprinkler that includes an anti-limescale system**, ensuring a clean and consistent water flow.

The **hot and cold mixer tap**, along with the **foot-washer**, are directly integrated into the sleek body design. With two easy installation options - hidden or side pipe connections - the Gavarnie® Solar Shower is the perfect choice for any modern outdoor space.



PARTS



Integrated long sprinkler
with anti-limescale system



Water mixer tap



Foot washer tap



Hidden or side pipe
connection possibility

CODES & COLORS

