



VICTORIA SMART CONNECT VS

INTELLIGENCE AND EFFICIENCY
AT THE CORE OF YOUR POOL

ASTRALPOOL 

VICTORIA SMART CONNECT VS

The Victoria Smart Connect variable-speed pump embodies our ultimate goal: bringing excellence to the very heart of the pool. With its connectivity, energy-saving capacity, high-quality filtration, low noise level, and user-friendly operation, it becomes the most sustainable, convenient, and optimized solution for the pool.

SMART CONTROL MADE SIMPLE

With Victoria Smart Connect VS, managing your pool is effortless. From your smartphone or tablet (iOS and Android) you can **customize operating modes** and manage the entire Fluidra ecosystem through the **Fluidra Pool app**.

And with its new **removable**, multilingual **HMI** panel and quick, intuitive dial, every adjustment becomes simple, elegant, and fully accessible.



PROTECTION AND EFFICIENCY, PERFECTED

Excellence also means peace of mind. With features such as **constant flow** for flawless filtration, **smart priming** to avoid unnecessary energy use, and **protection against freezing or dry running**, the pump not only optimizes resources it also protects your pool and your investment. Its robust design ensures a long service life, while full compatibility with previous AstralPool Victoria models makes upgrades effortless, with no need for construction work.

EFFICIENCY THAT ELEVATES YOUR EXPERIENCE

More than a pump, it is a commitment to sustainability. Victoria Smart Connect VS **reduces energy consumption by up to 85%*** compared to a single-speed pump, thanks to its customizable speed profiles and timer function. Combined with real-time monitoring to measure and validate savings, it sets a new benchmark in energy efficiency.



Calculate your energy savings.



THE COMFORT OF TRUE SILENCE

Silence, as the ultimate expression of comfort. With **sound levels below 40 dBA at lowest speeds, more than 20 dBA reduction*** compared to equivalent single-speed pumps, becomes extremely quiet. Permanent magnet motor technology and hydraulic design not only to perform, but to bring you the quiet and serenity your pool deserves.

* Results obtained under low-speed operating conditions.

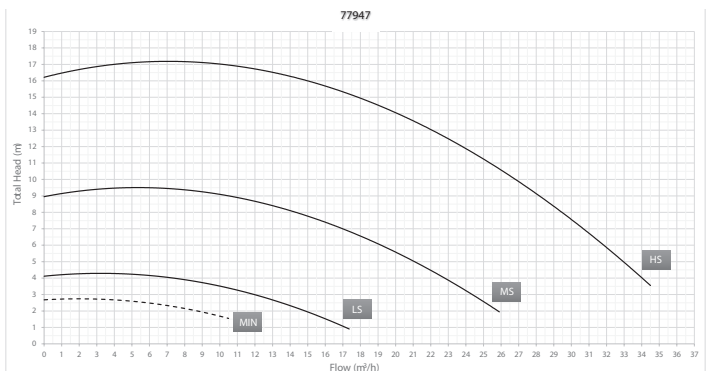
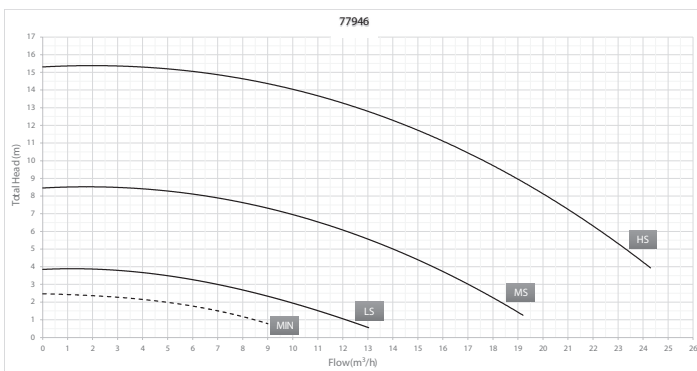
TECHNICAL SPECIFICATIONS

		77946			77947		
		LS	MS	HS	LS	MS	HS
Model		VS100			VS200		
Speed	%	50	75	100	50	75	100
Voltage	V	220 - 240			220 - 240		
Frequency	Hz	50 / 60			50 / 60		
Motor Rated Output	kW	0.75			1.50		
Max. Abs. Power (P _{1MAX})	kW	0.15	0.44	1.06	0.25	0.74	1.80
Capacity	m ³ /h	8.6	12.9	17.6	13.3	19.7	26.6
Differential Head	m	2.5	5.6	10.0	2.5	5.6	10.0
Max. Working pressure	m	3.9	8.5	15.4	4.1	9.0	16.3
Noise level	dBA	40.5	53.0	61.5	42.5	53.5	63.5
Pipe Size	ø mm	50			63		

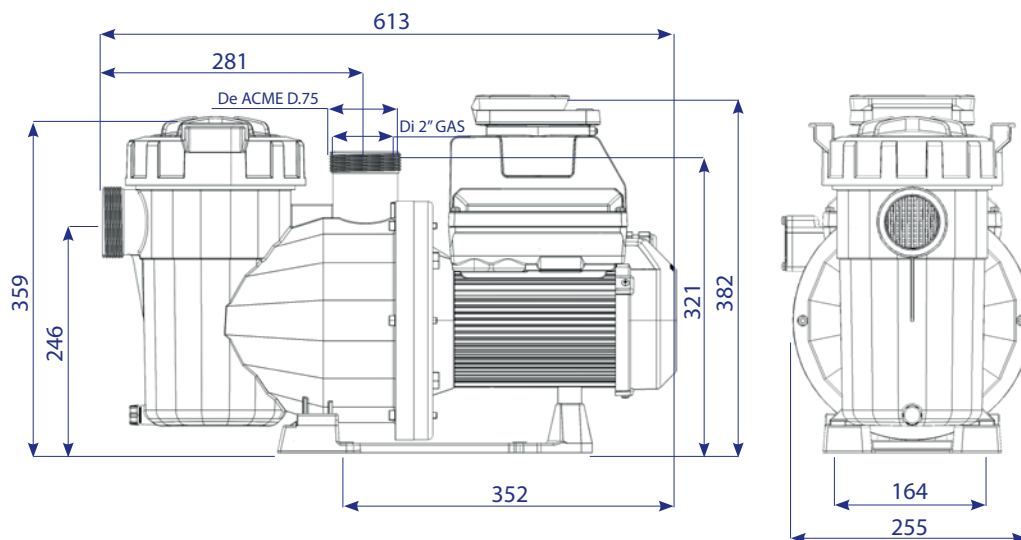
PERFORMANCE CHARTS

VICTORIA SMARTCONNECT VS 100

VICTORIA SMARTCONNECT VS 200



DIMENSIONS



Warranty: 3 years + 2 additional years upon installation registration; terms apply.