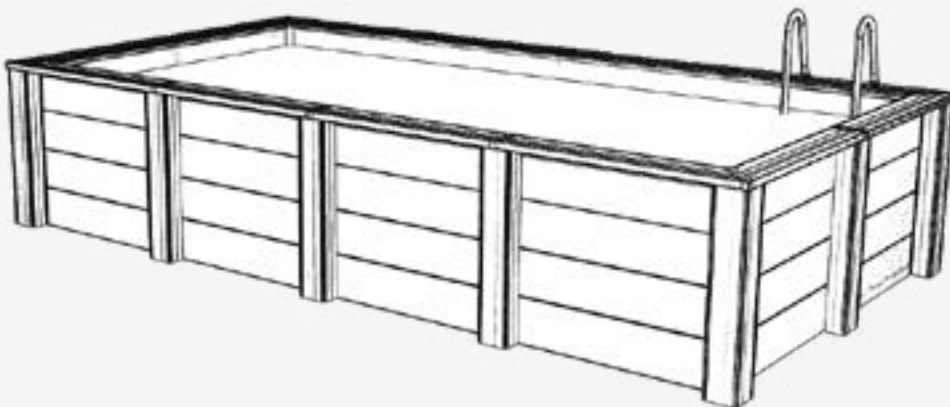


KPCOR60LT

5.95 x 3.15 H 1.26m

KPCOR60T

5.95 x 3.15 H 1.26m



KPCOR46T

4.55 x 3.15 H 1.26m



Composite pool.



Before proceeding with the assembly, carefully read the instruction sheets for all the components of the kit. Keep these instructions for future reference.
Non-contractual photos and images.

#1 04 - 05
Advice
of security.

#2 06 - 07
Components.

#3 08 - 09
Preparation
of the land.

#4 10 - 33
Installation.

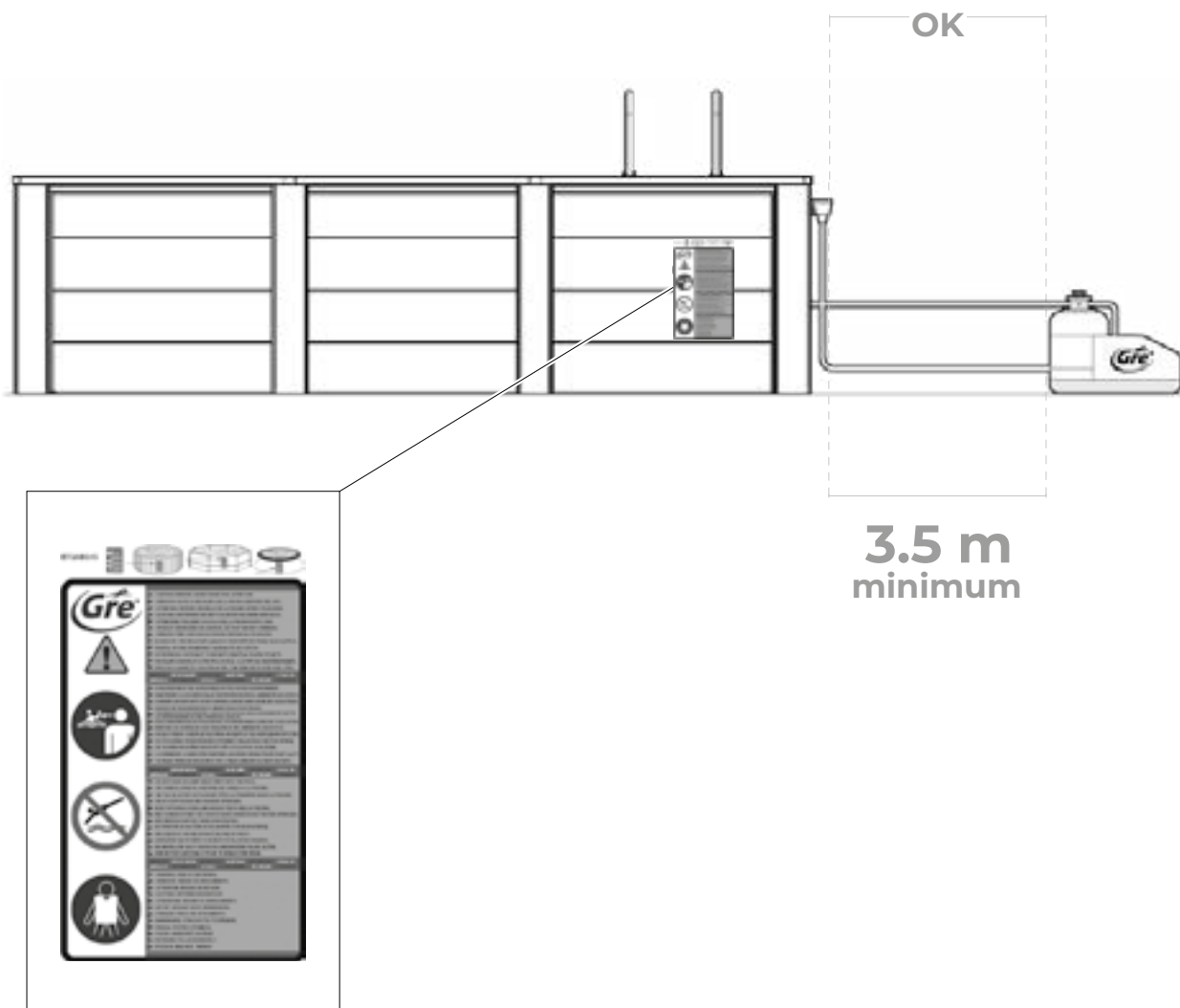
#5 34 - 36
Leakage.

#6 37 - 38
Maintenance
and use.

#7 39
Warranty.

#1

Advice of security.



Security information.

Before installing and using the pool, carefully read the information contained in this manual, understand it, and comply with it. Announcements, instructions, and safety guidelines refer to some of the most common risks related to water recreation, but they do not cover all the risks and dangers that may arise. Exercise caution, critical thinking, and common sense when engaging in water activities. Save this information for future reference.

Safety for those who cannot swim:

Constant, active, and continuous supervision by a responsible adult is always needed for children who do not know how to swim or do not swim well (keep in mind that the highest risk of drowning is presented by minors).
from five years).

Ensure that a responsible adult supervises the pool every time it is used.

It is advisable for children who do not know how to swim or do not swim well to have personal protective equipment when using the pool.

When the pool is not in use or is unsupervised, remove all toys from it to prevent children from approaching it.

Security devices

It is advisable to install a barrier (and, if necessary, install security elements on doors and windows) to prevent any unauthorized access to the pool.

Barriers, covers, pool alarms, or similar safety devices are useful but do not replace continuous supervision by a responsible adult.

Safety equipment

It is recommended to have rescue equipment (a buoy, for example) near the pool.

Have a phone in perfect condition and a list of emergency numbers near the pool.

Safe use of the pool

Encourage all users, especially children, to learn to swim. Learn rescue techniques (cardiopulmonary resuscitation) and periodically update your knowledge. These gestures can save a life in an emergency.

Explain to the pool users, including the children, what procedure they should follow in case of an emergency.

Never dive into shallow pools, as you may suffer serious or fatal

injuries.

Do not use the pool after consuming alcohol or medications that may impair your ability to do so safely.

If the pool is covered by a cover, remove it completely from the water surface before entering.

Treat your pool water and establish good hygiene practices to protect users from water-related illnesses. Refer to the instruction manual for how to treat the water.

Keep chemical products (such as water treatment, cleaning, or disinfection products) out of the reach of children.

It is mandatory to place the included pictograms in a visible position less than 2 meters from the pool.

Place the mobile stairs on a horizontal surface.

It is mandatory to remove the ladder after each use.

If you plan to connect an electrolysis system, it must be installed with a grounding and sacrificial anode to prevent the appearance of rust on the metal parts. Otherwise, in the event of oxidation of any metal part (ladder, pool wall, profiles, etc...), they would be excluded from the warranty. For more information about these parts, consult your distributor.



ATTENTION

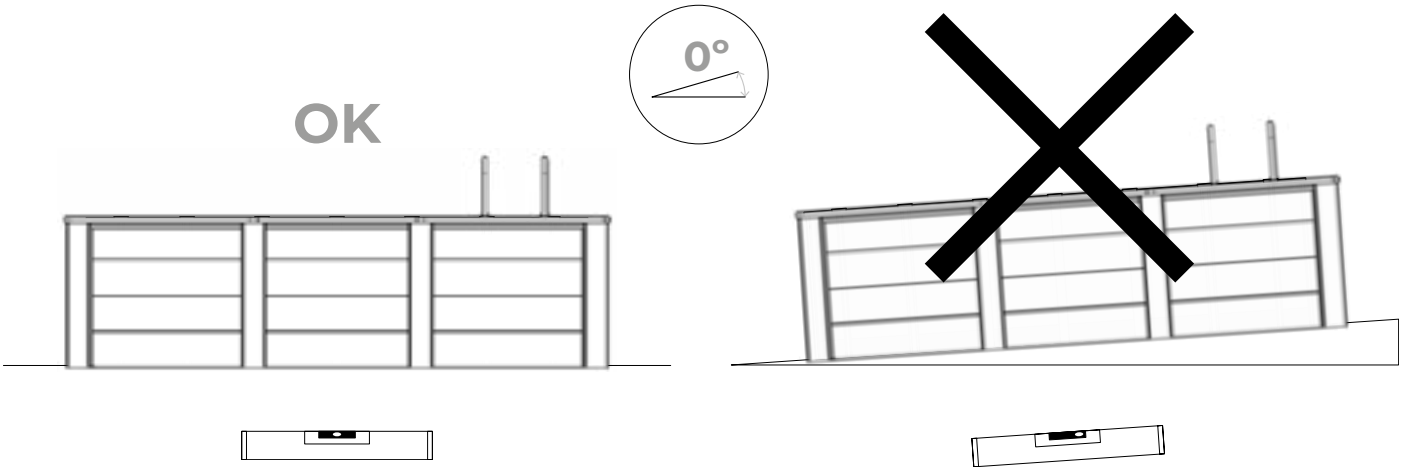
Any device powered at 220 V must be placed at least 3.50 m from the edge of the pool.

The equipment must be connected to a power outlet, with a ground connection, protected by a residual current device (RCD) with a rated residual operating current not exceeding 30 mA.

Read the instructions carefully and keep them for future reference.

If you have any problems, consult us!

www.grepool.com/after-sales



#2

Components.



Verify that the number of UNITS inside each box or container matches this table.



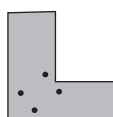
IPE1190



IPE700



PLATEN



ANGLE



BL



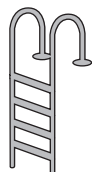
SILEX



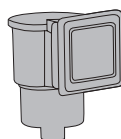
MPROV610



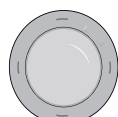
LINER



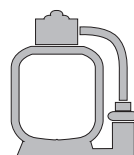
AR1174CO16T



SK101G



PLWPB

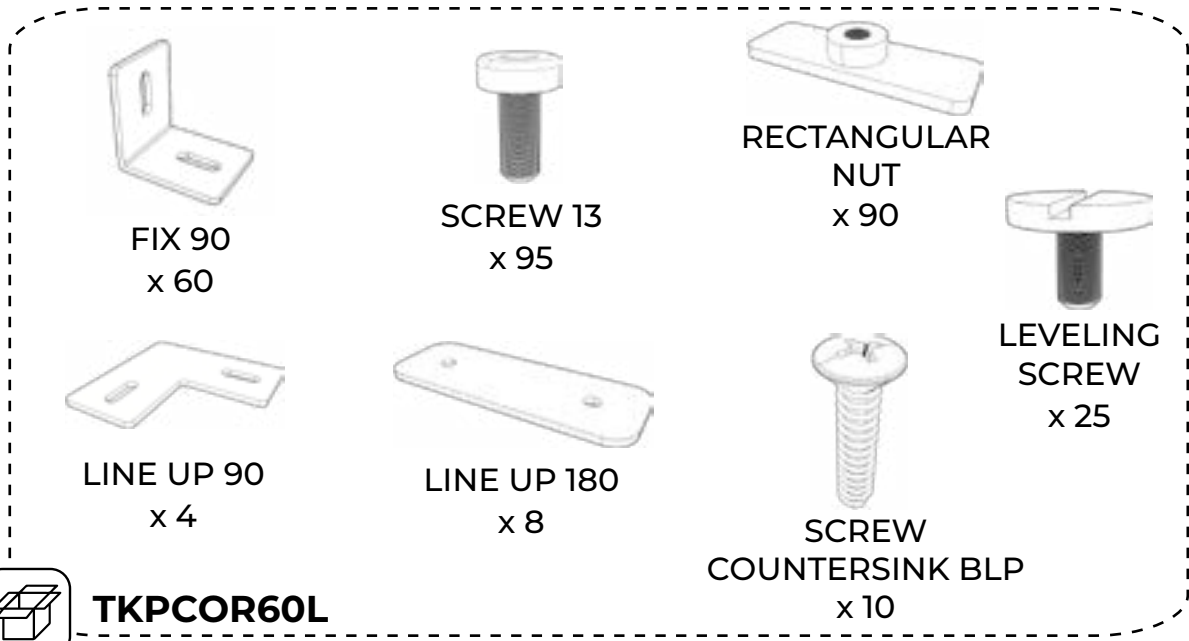


MONOBLOCK

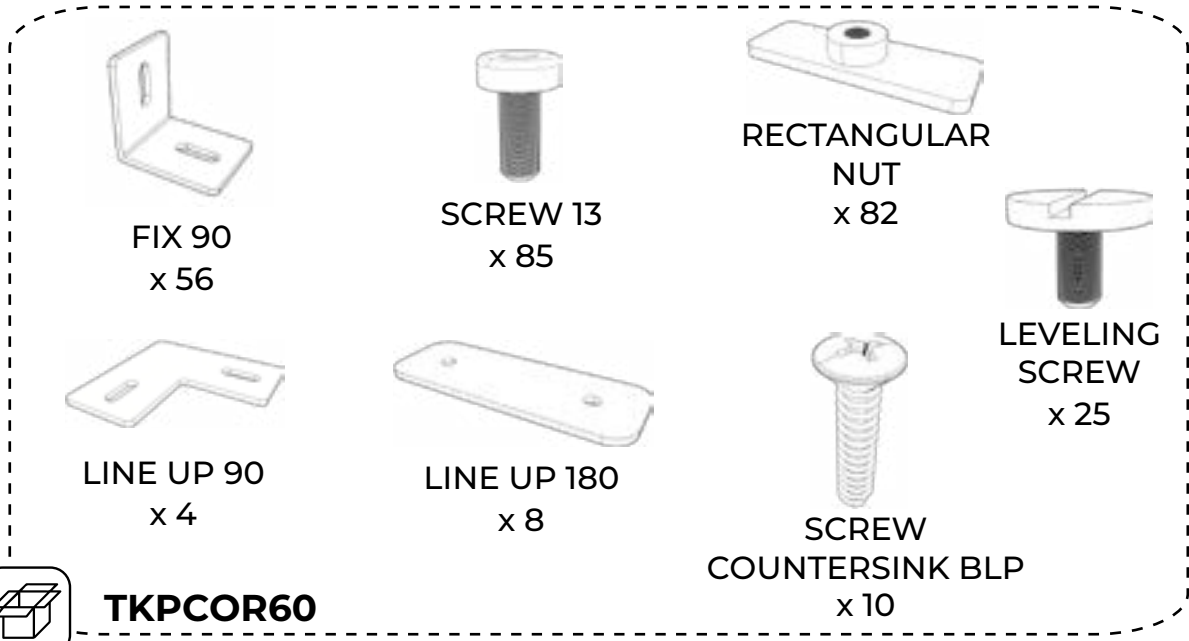
KPCOR60LT KPCOR60T KPCOR46T

	KPCOR60LT	KPCOR60T	KPCOR46T
BOXPNPCOR60L	1	-	-
BOXPNPCOR60	-	1	-
BOXPNPCOR46	-	-	1
PVALKPCOR60	1	1	-
PVALKPCOR46	-	-	1
PLYCOMP108SK	1	1	1
PLYCOMP101	2	3	1
PLYCOMP100102	3	2	3
ANGKPCOR60	1	1	-
ANGKPCOR46	-	-	1
TETCOMP	1	1	1
COVER90120	2	2	2
COVER180120	4	4	3
LEDCOVER120	1	-	-
AR1174CO16T	1	1	1
IPE1190	8	8	6
IPE700	8	8	6
BL	6	6	4
PLATEN	3	3	2
ANGLE	16	12	12
TKPCOR60L	1	1	-
TKPCOR60	1	1	-
TKPCOR46	-	-	1
LINER	1	1	1
MONOBLOCK	1	1	1
SK101G	1	1	1
SILEX	4	4	4
MPROV610	1	1	1
PLWPB	1	-	-
CORPLAYA	1	1	1
PLETINASK	1	1	1
LSCOMPG	1	1	1

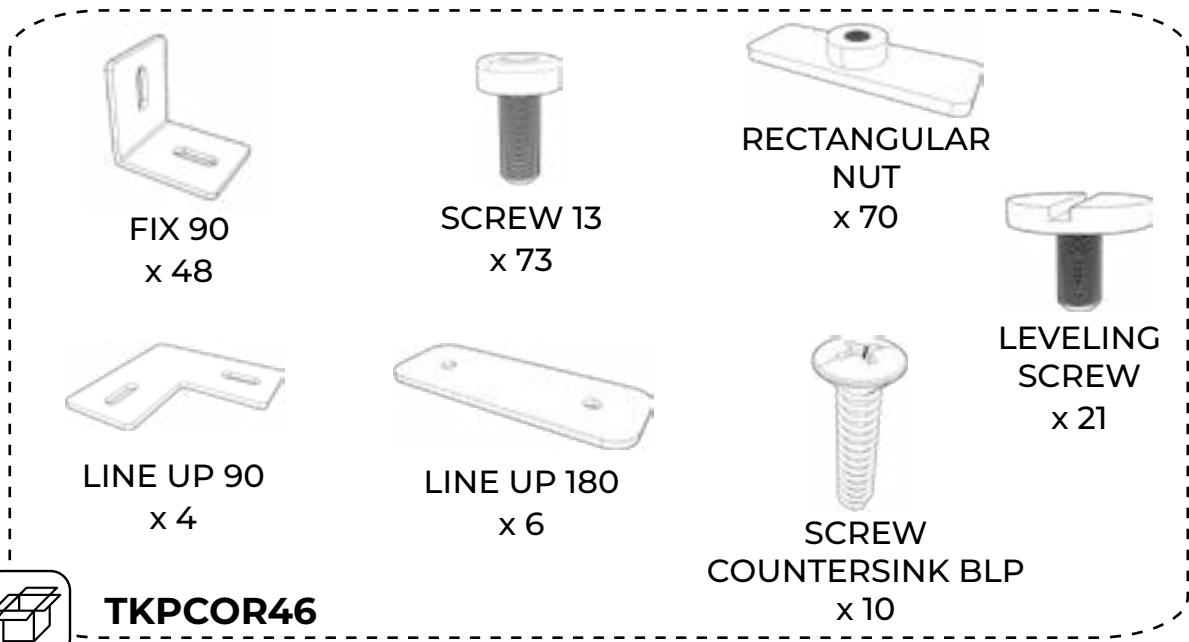
x1  **TKPCOR60L**



x1  **TKPCOR60**

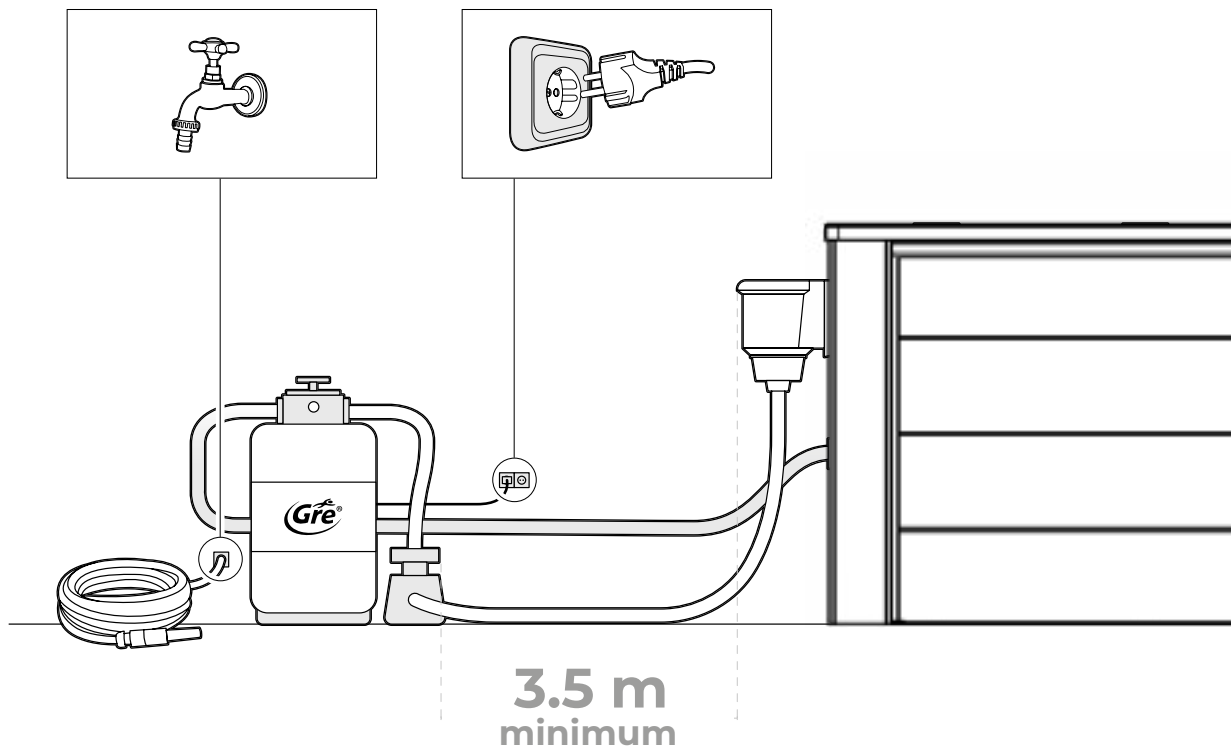


x1  **TKPCOR46**



#3

Preparation of the land.



Placement location

Our pools are designed to be installed above ground and for outdoor family use. The floor must be firm, smooth, and perfectly horizontal.

Remember: 1000 l. = 1m³ = 1000Kg

Do not use rubber or similar materials, nor those in which the structure can become stuck.

Recommendations for Choosing the Best Location for Your Pool

Choose a location where the least amount of excavation is needed to level the ground.

Area where it does not flood in case of rain.

Let no underground connection pass (water, gas, electricity,....).

Do not install under power lines.

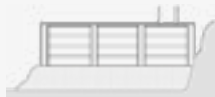
Protected from the wind and without trees since pollen and leaves dirty the pool.

Sunny area, where the sun is abundant in the morning.

Near an electrical outlet, water supply, and a drain.

NEVER RIDE: On sloped, uneven, sandy, rocky, or soft terrain.

NO



NO



NO



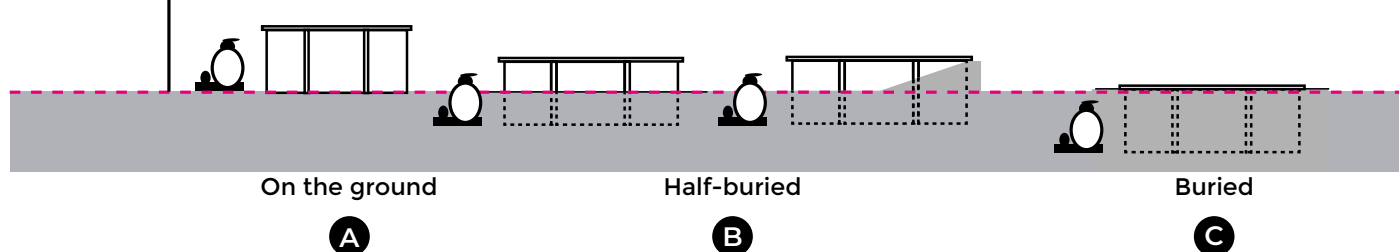
NO



OK



Filtration level



You can install your pool in these 3 ways: A-B-C

It is a crucial stage in the construction of your pool. Certain start-up tasks, such as land preparation, concrete slab, drainage... may require the intervention of professionals who will know how to propose the appropriate solutions.

Select the ideal location, as sunny as possible, taking into account local regulations (distance from the fence, public easements, networks...) and the landscaping after the pool installation.

Try not to install your pool on recently filled or unstable ground.

Whatever type of installation is selected, it is necessary to excavate and prepare the ground to level it.

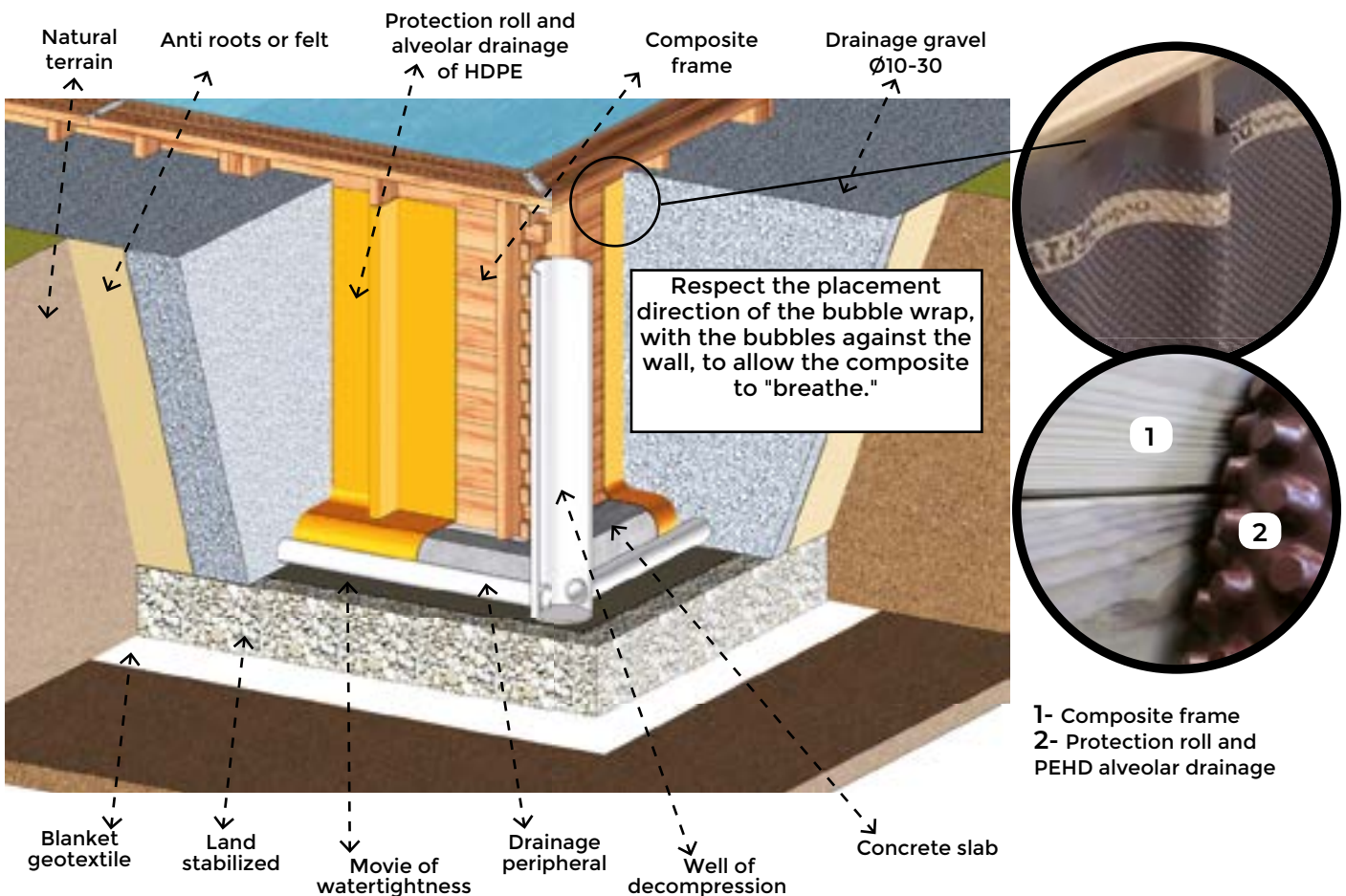
Attention: in the case of sloped land, it is essential to excavate it to level it. Do not add soil to level your land.

The installation must be carried out on a concrete slab. If a concrete slab is made, it must have a minimum thickness of 17 centimeters. The assembly of the vessel is carried out once the slab has completely dried (3 weeks). The filtration group should be located below the level of the pool and ideally at the level of the pool floor.

Partially or completely buried installation

According to the nature of the terrain, it is important to implement a peripheral drainage system and connect it to a decompression well. The well is dug before the construction of the pool because it can also prevent the excavations from filling with water during the works. It should be close to the glass, a

few centimeters below its deepest point, and reach the surface. The decompression well is located on the dampest side. It serves as a sink in case of water infiltration or clay soil, based on the fact that water rises more quickly through the tube than through the soil.



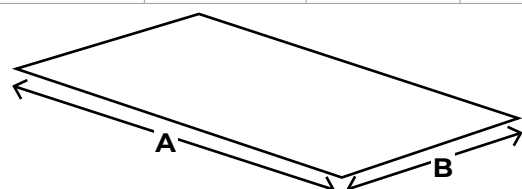
Mark installation area:

It is advised to level the entire necessary surface before marking (which should be centered in the rectangle corresponding to the pool model) so that the assembly can be done more comfortably and with ease.

Once the location area for the pool has been chosen, we will proceed with the marking.

Necessary space

	KPCOR60LT	KPCOR60T	KPCOR46T
A	700 cm	700 cm	560 cm
B	420 cm	420 cm	420 cm



#4

Installation.

4.1 - Concrete slab

4.2 - Metal frames

4.3 - Panels

4.4 - Top rails

4.4.1 - Placement of the screws

4.4.2 - Connection pieces

4.4.2.1 - Connection pieces for the straight section (180 degrees)

4.4.2.2 - Corner joint pieces (90 degrees)

4.5-Skimmer

4.6 - Protective ground cover

4.7-Liner

4.7.1 - Placement of the cord for securing the liner

4.7.2-Structural System Trims

4.7.2.1 - Straight zone

4.7.2.2 - Corner area

4.7.3 - Top rails Beautifiers

4.8 - Return nozzle

4.9 - Attachment of the Skimmer body (S) to the outside of the pool

4.10 - Interior staircase

4.10.1 - Exterior staircase

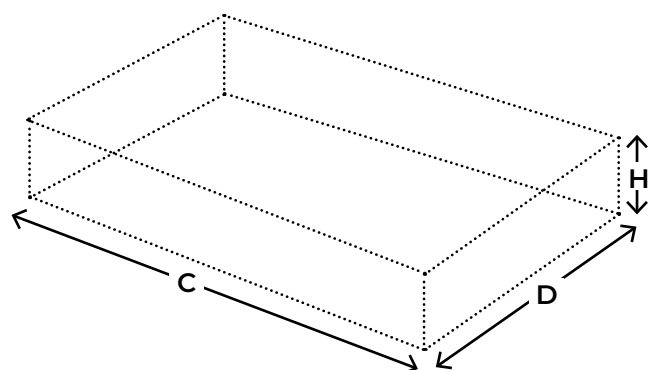
4.11 - LED Projector

4.11.1 - Installation of the LED projector trim

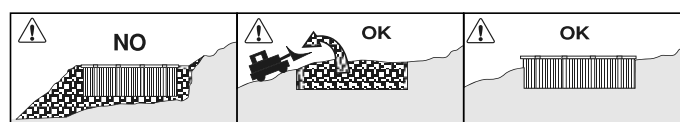
4.1 - Concrete slab

The installation of your pool involves the construction of a reinforced concrete slab with welded mesh. The concrete must be 350 kg/m³ (standardized C125 430). *The concrete slab must be perfectly leveled or smoothed since any minor flaw can be visible.* **Minimum thickness: 17 cm.** We recommend that you consult a professional for the construction of the slab. In case you wish to build the slab yourself, we advise you to hire a professional for the concrete to ensure the dosing and homogeneity of the materials and to pour it in the shortest possible time.

↕	KPCOR60LT	KPCOR60T	KPCOR46T
C	680 cm	680 cm	540 cm
D	400 cm	400 cm	400 cm
H	17 cm	17 cm	17 cm



It is mandatory to install the IPEs and the slab. The measurements must exceed the inner surfaces of the vessel by at least 50 cm. You can use spacers or bricks so that the mesh is not flush with the ground but is positioned approximately halfway up the slab.



4.2 -Metal frames



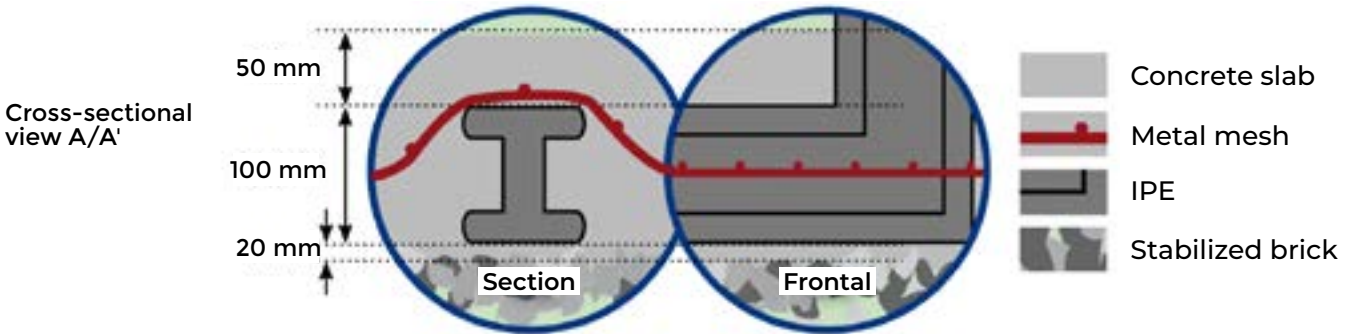
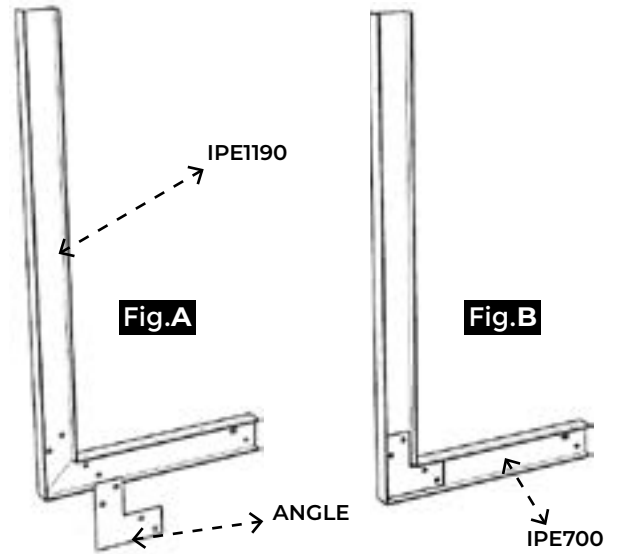
It is mandatory to install the metal frame.

First, both pieces must be joined with the metal pieces (ANGLE) as shown in figure A to form an "L". Assemble the frame according to figure B. The frame must be placed at the same time as the concrete slab is being made.

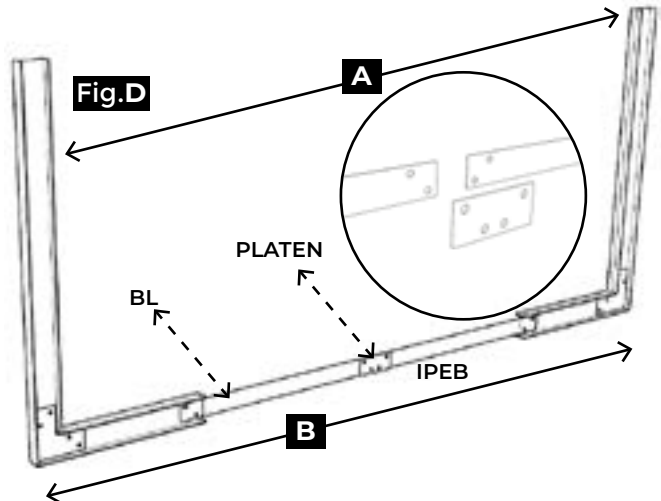
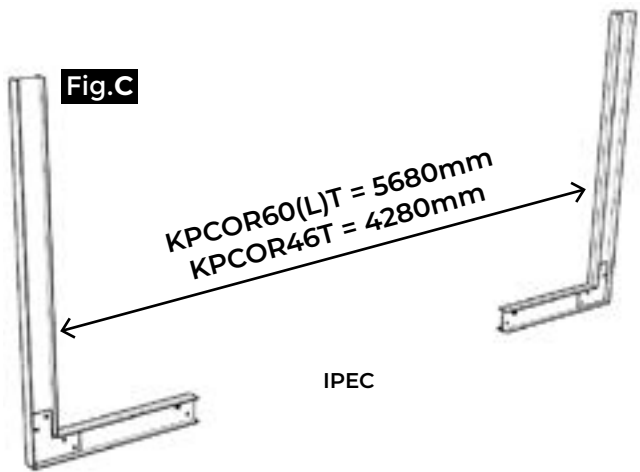
Positioning

Place the racks at the bottom of the excavation according to the instructions in the attached plan. Make sure that the vertical pieces are well plumbed. Place the metal mesh, adjusting it to the surface that the concrete slab will occupy. It is mandatory to install the frame on the slab. The dimensions of the concrete slab must exceed the interior faces of the basin by at least 50 cm.

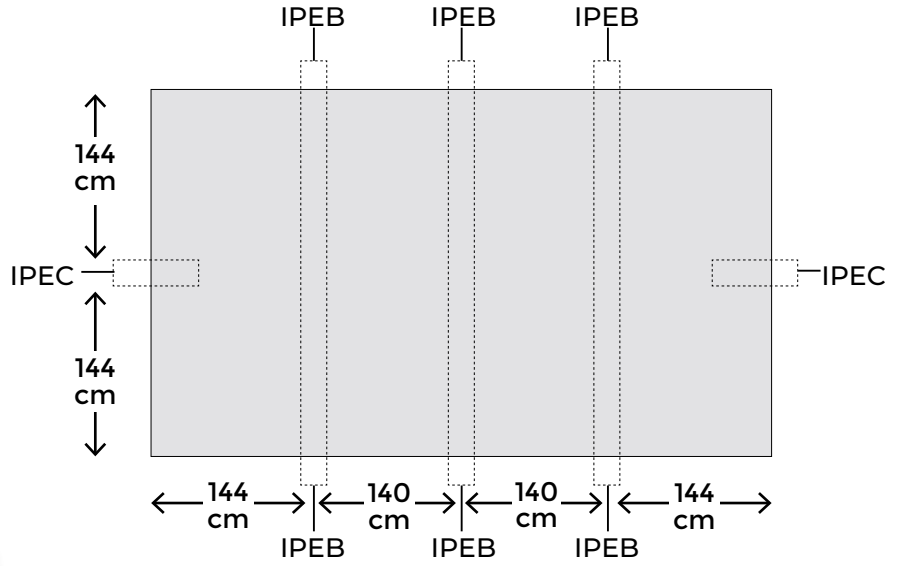
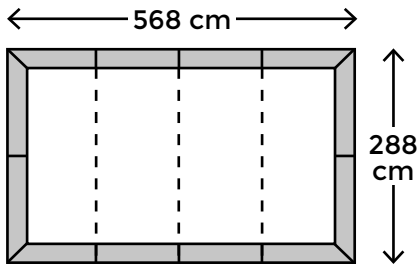
In large lengths, there are no metal clamps to fix the angles. Figure C.



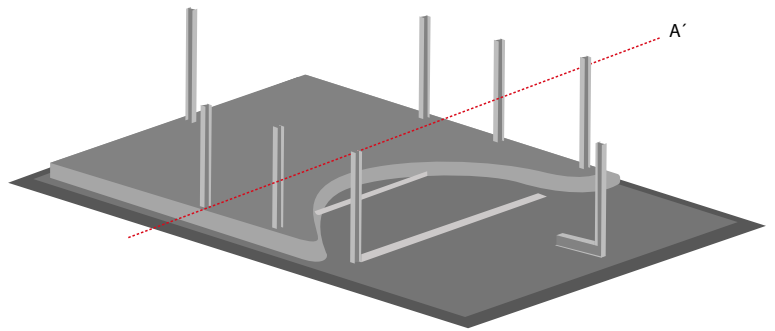
	KPCOR60LT	KPCOR60T	KPCOR46T
A	± 288 cm	± 288 cm	± 288 cm
B	± 308 cm	± 308 cm	± 308 cm



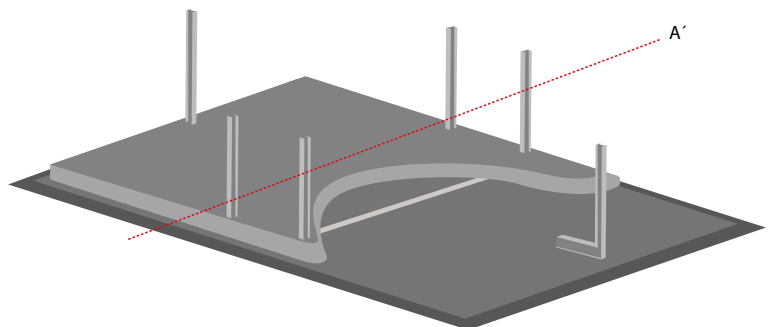
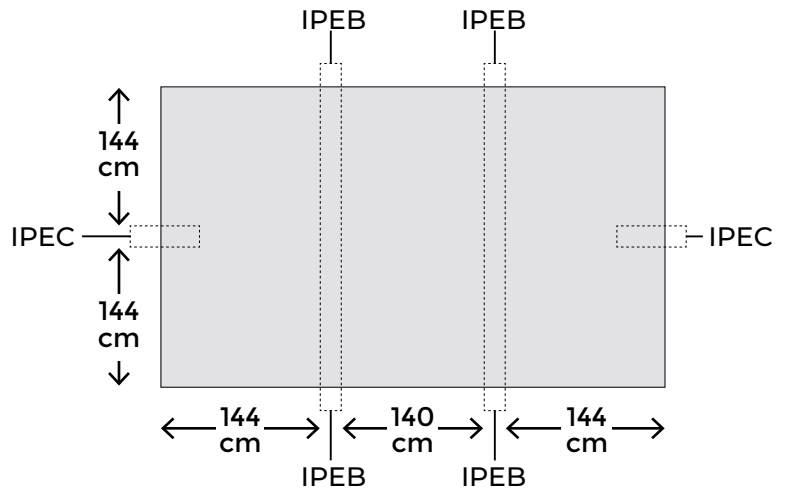
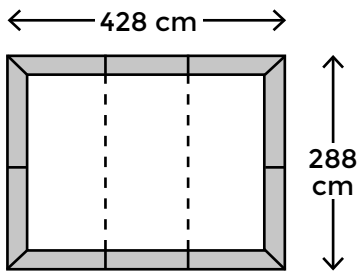
KPCOR60(L)T



Measurements indicated from the center of the IPEs.



KPCOR46T



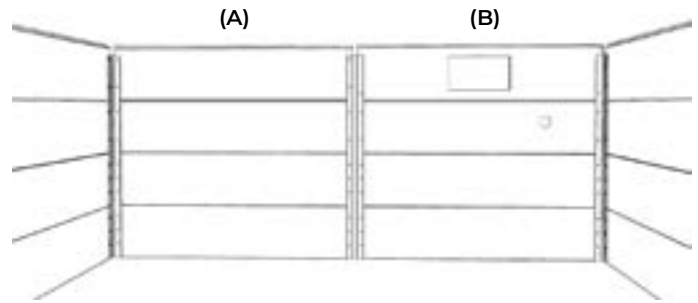
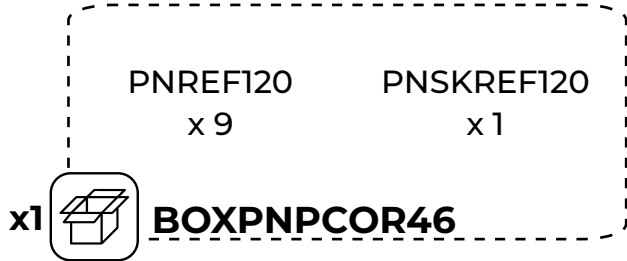
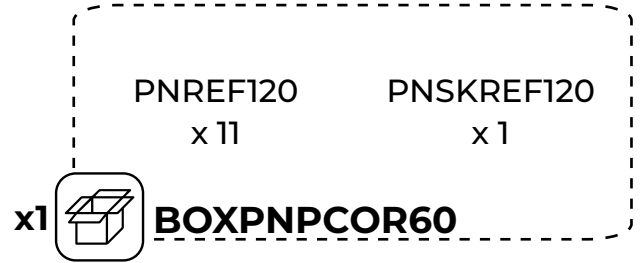
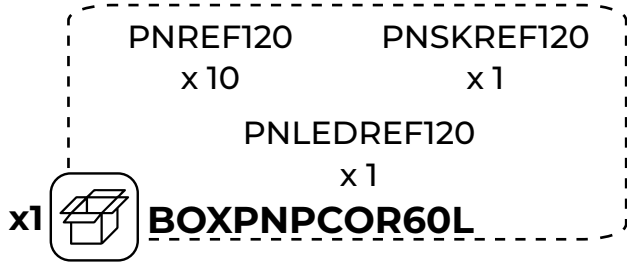
4.3 - Placement of the panels

There are 3 types of panels;

A- Standard panel, without holes.

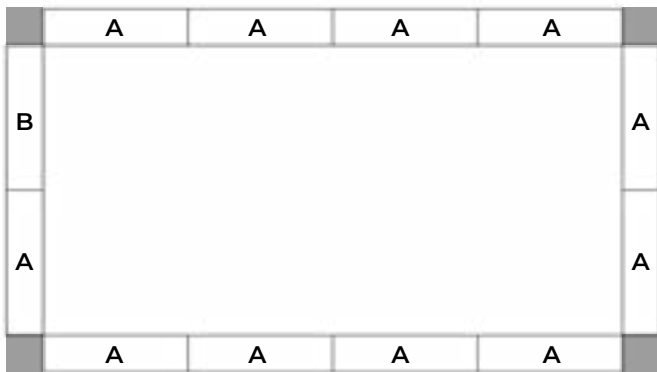
B- Filtration panel, with a rectangular cutout for the skimmer and another circular one for the return valve.

C- For the pool with LED, a panel with a circular die-cut is included (See page 34).

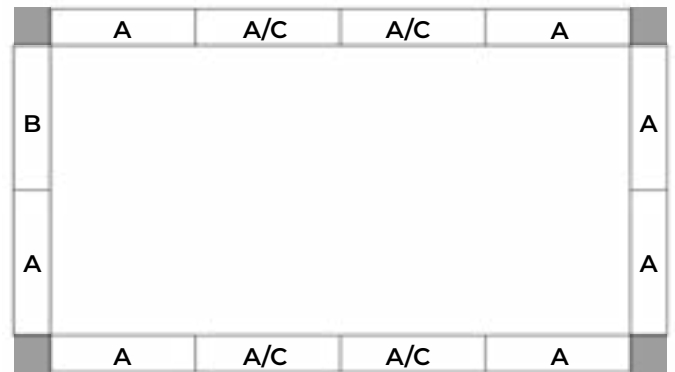


Below is the layout of your pool panels. It is mandatory to place panel "B" in the designated location. The "C" can be placed wherever you want.

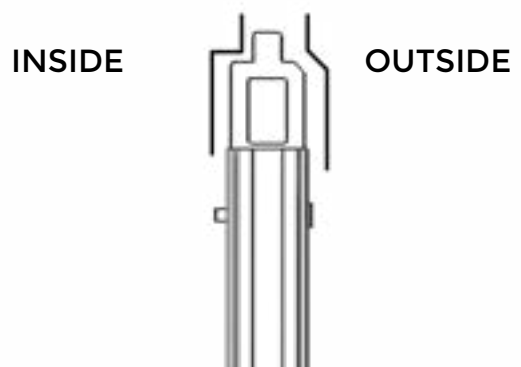
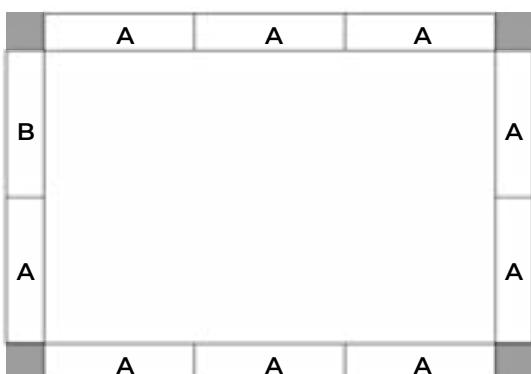
KPCOR60T

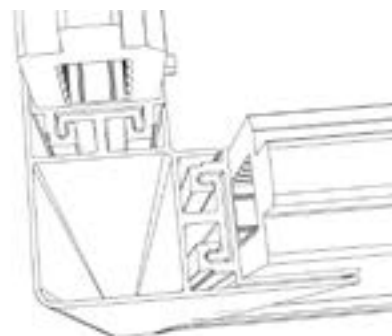


KPCOR60LT



KPCOR46T



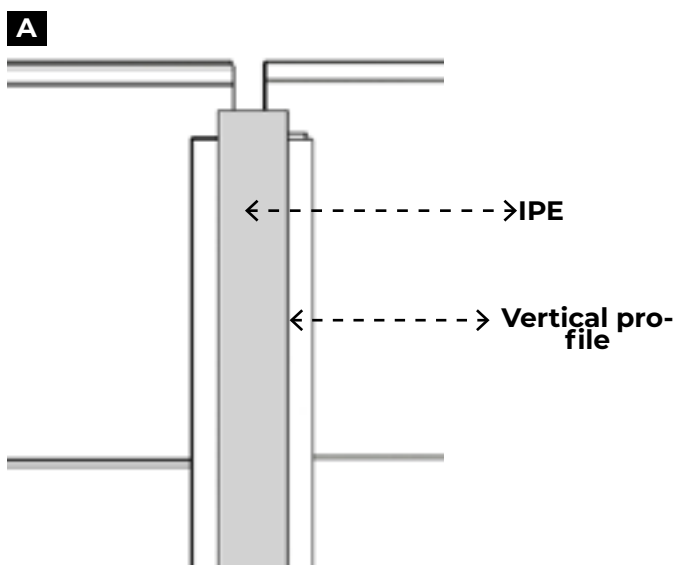
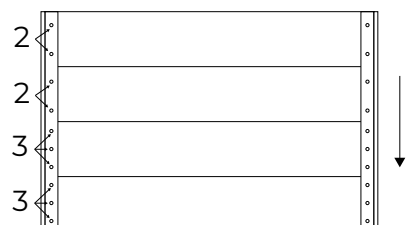
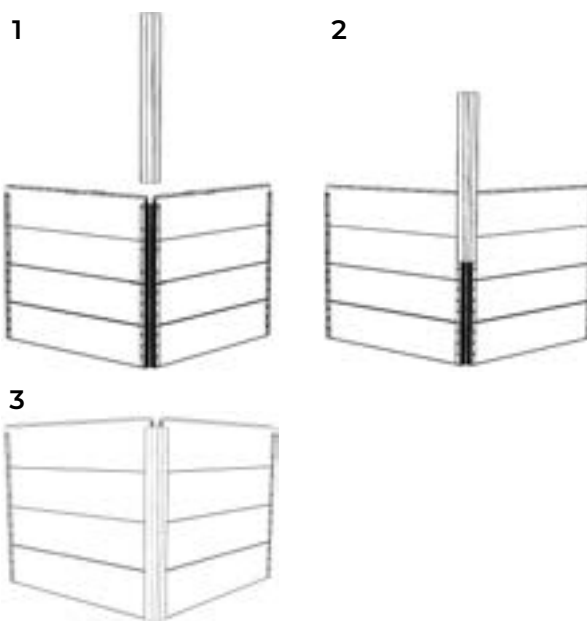


Use the vertical profiles to join the panels together.

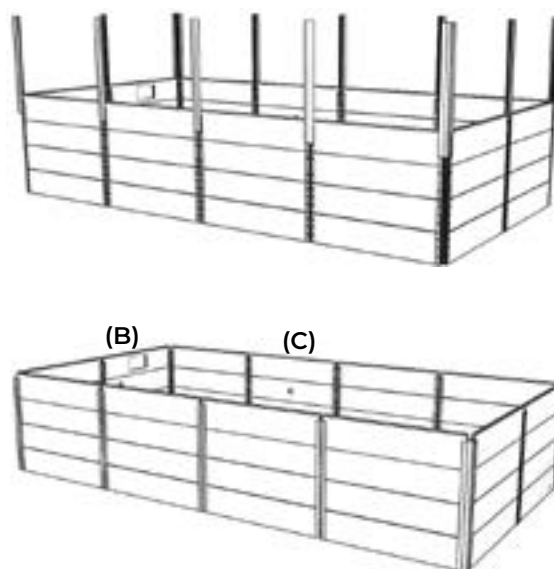
It is very important to move the panels with great caution and between two people. Scratches or marks on the panels caused by improper handling are not covered by the warranty. If you have trouble inserting the profile, move the panels until they have the same angle and distance as the profile. Thus, the profile will enter more easily.

The union of the panels must be in the center of the column. This is how the profile can be introduced (FIGURE A).

It is noticeable that the panels are not centered with respect to the column. Avoiding it is very important to prevent problems when filling the water. If this happens, you will have to distribute the differences among them so that they are as centered as possible.



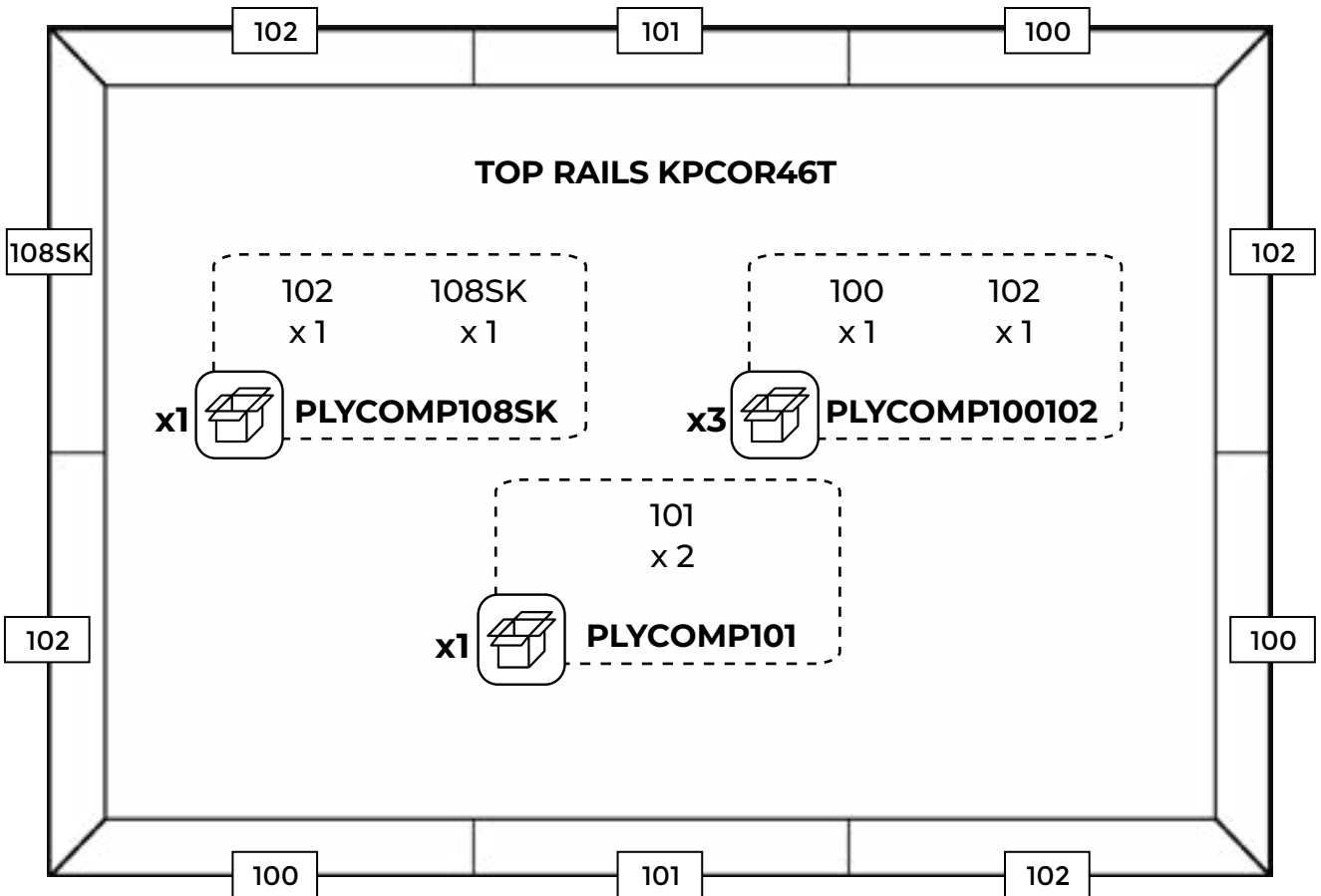
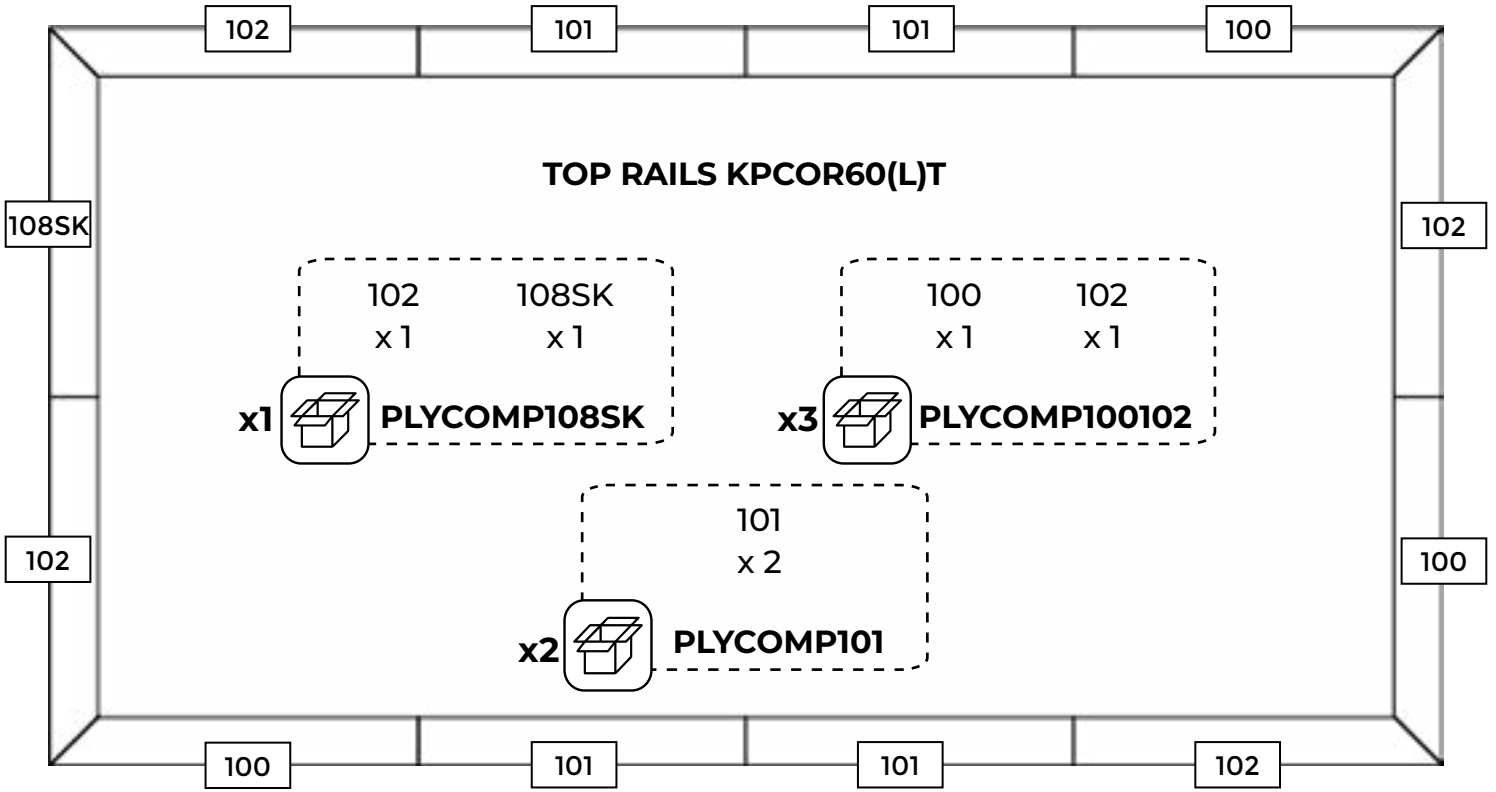
KPCOR60(L)T



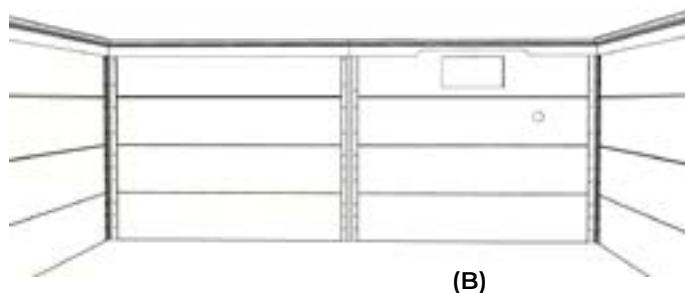
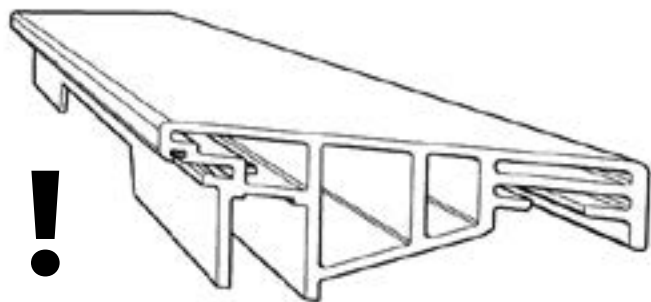
It is normal for there to be space between the panels and the IPE columns.

When the pool is filled with water, the panels will touch the columns due to the water pressure.

4.4 - Placement of the TOP RAILS



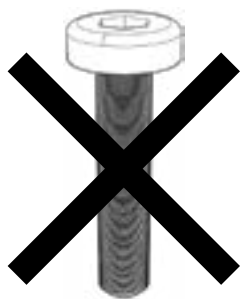
All the beaches have the same shape on the inner side of the pool, except for one of them, which has a recess (108SK). That beach should be placed on top of the filtration panel (B). You will find the beach in the box PLYCOMP108SK.



For the assembly, locate the following pieces in the screw boxes TKPCOR46 and/or TKPCOR60(L):



REF	FIX 90	SCREW 13	RECTANGULAR NUT	LINE UP 90	LINE UP 180	LEVELING SCREW	SCREW COUNTERSINK BLP
TKPCOR60	56	135	136	4	8	25	10
TKPCOR60(L)	60	144	144	4	8	25	10
TKPCOR46	48	116	116	4	6	21	10



SCREW 30 (*)



SCREW 13



A screwdriver is required for installation.
Screwdriver not included



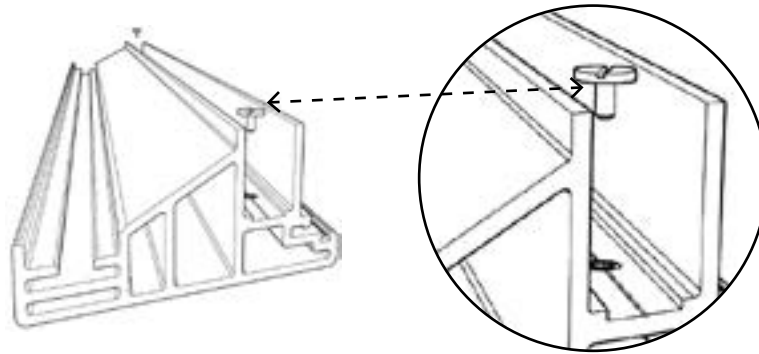
Driller required for installation.
Drill not included

*(SCREW 30 is only used in the ladder frame)

Once the panels are installed, it is advisable to check again that they are properly leveled. To be able to solve small uneven surfaces, we have two proposals:

4.4.1 - LEVELING SCREW:

They are placed at the end of the beaches, in a ring that is already inserted to be able to raise the beach at the ends in case the panel is not parallel to the ground. We recommend that you fully screw in the bolts at all ends and assemble the entire pool rim.

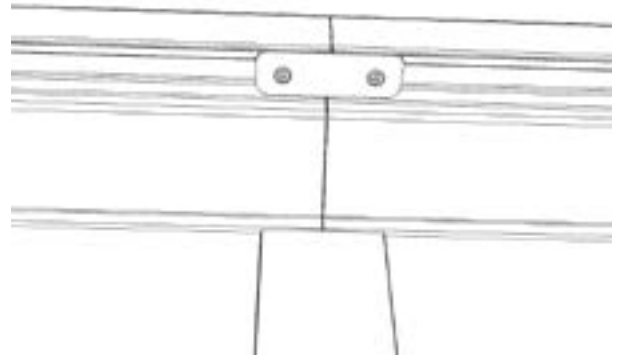


4.4.2 - LINE UP 90/180 (JOINT PIECES):

We will use them to connect the beaches with each other on the non-visible side. We will find two types of joints, one for the straight areas and another for the corners of the pool.

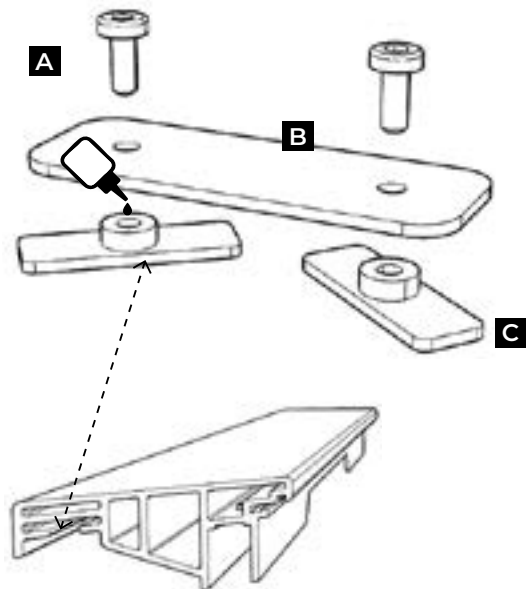
4.4.2.1-Connecting pieces for the straight section (180 degrees)

In the following photo, you can see the pieces necessary to connect two beaches together.



REF	KPCOR60(L)T	KPCOR46T	Image
SCREW 13	16	12	A
LINE UP 180	8	6	B
RECTANGULAR NUT	16	12	C

We will do a pre-assembly of the sets by inserting the "A" screws through the holes of the "B" aligners to finally slightly thread the "C" nuts.

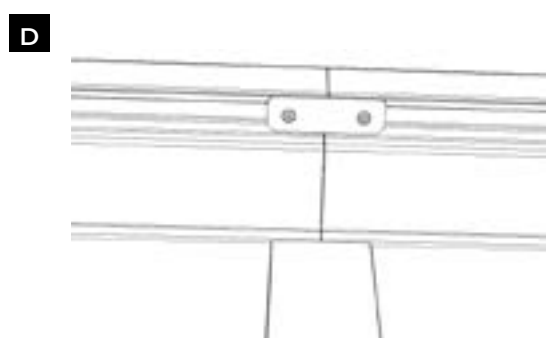
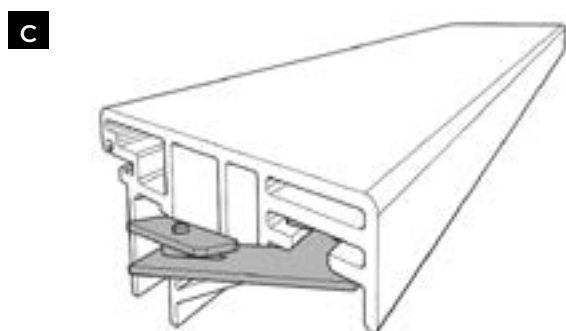
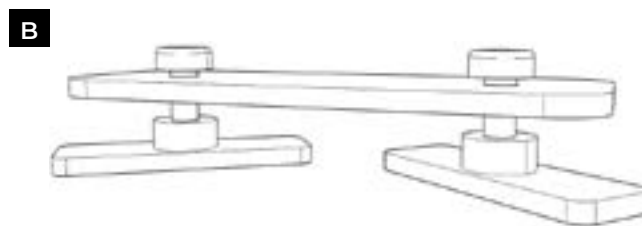
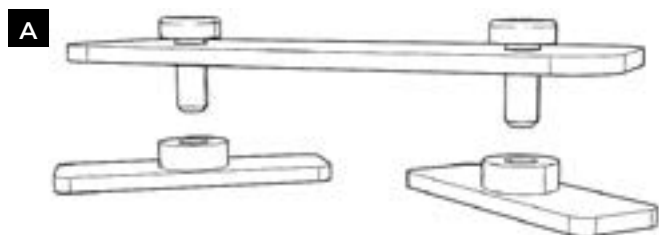


They must be fixed firmly. It is possible that, if we add the contractions and expansions of the material over time, these assemblies may end up loosening. For that reason, to avoid having to adjust them again, we recommend securing them with a special adhesive for screws.

Application of adhesive on the rectangular nut

Apply a drop of specific adhesive for screws (for example, anaerobic thread locker) on the thread of the *RECTANGULAR NUT before assembly. Ensure that the surfaces are clean and dry to guarantee optimal adhesion.

It should fit like in photo B.

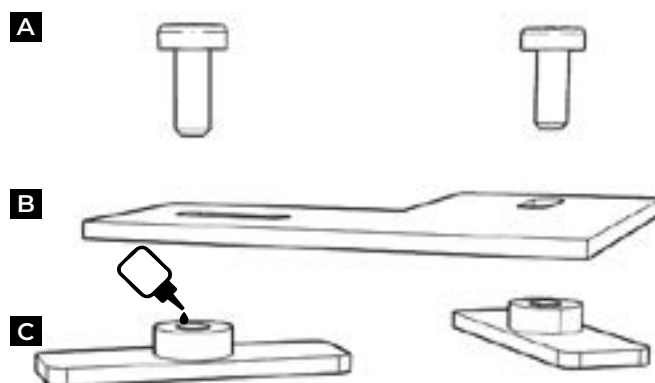


In image D, two connected beaches can be seen.

4.4.2.2.-Joint pieces for the corners (90 degrees)

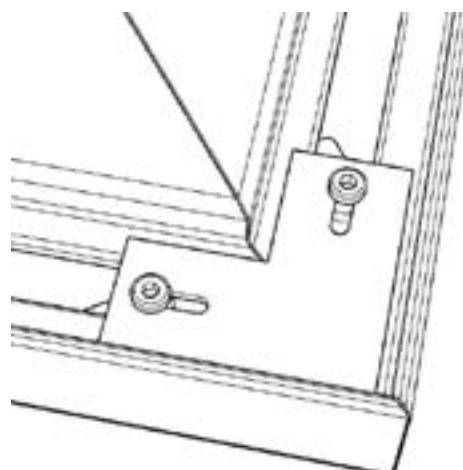
The procedure is the same as in the straight areas. Below is a detail of the result of a correct union.

REF	KPCOR60(L)T	KPCOR46T	Image
SCREW 13	8	8	A
LINE UP 90	4	4	B
RECTANGULAR NUT	8	8	C



They must be fixed firmly. It is possible that, if we add the contractions and expansions of the material over time, these assemblies may end up loosening. For that reason, to avoid having to adjust them again, we recommend securing them with a special adhesive for screws.

Application of adhesive on the rectangular nut
Apply a drop of specific adhesive for screws (for example, anaerobic thread locker) on the thread of the *RECTANGULAR NUT before assembly. Ensure that the surfaces are clean and dry to guarantee optimal adhesion.

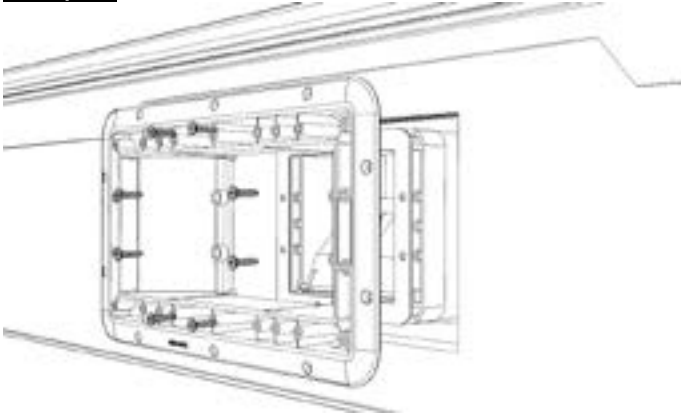


4.5 - Placement of the skimmer

First, we will take the skimmer mouth and place it in the hole of the filtration panel. *(Step 1)*

If it is difficult for you to screw it to the wall, you can use a 2 mm steel drill bit, and make a guide for the screw. Thus, the work will be easier. *(Step 2 and 3)*

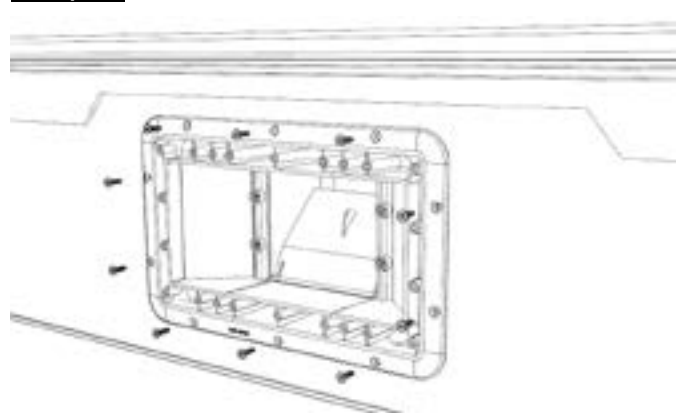
Step 1



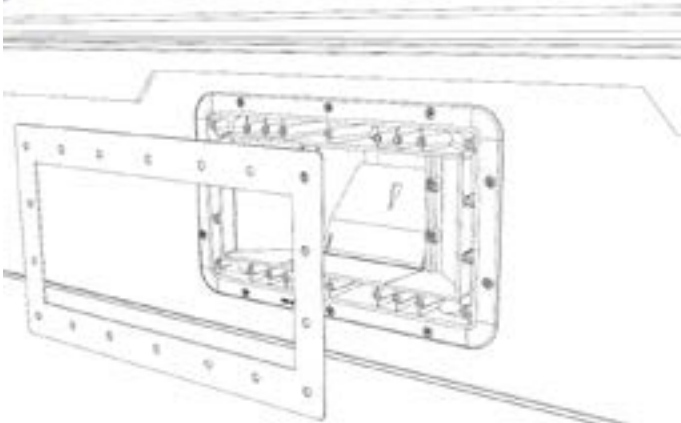
Place the sealing gasket with the adhesive facing inward. This is very important to properly secure the plastic cover and prevent water leaks. *(Step 4)*

(*) The use of a screwdriver and a drill with a 2mm bit is necessary to properly install the skimmer.

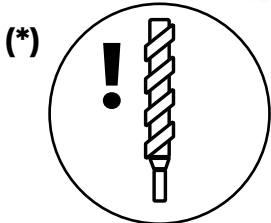
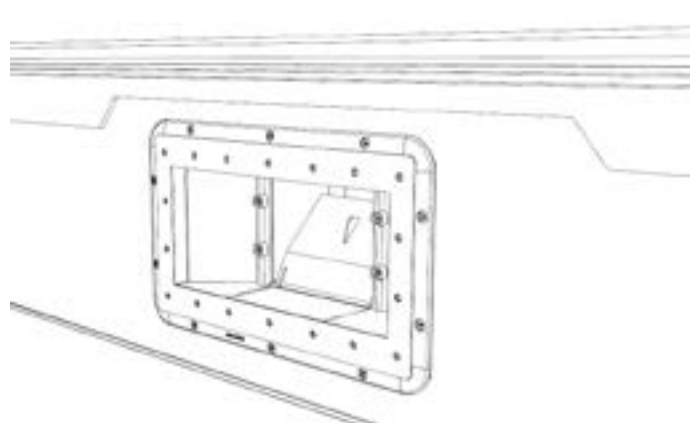
Step 2



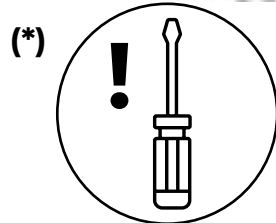
Step 3



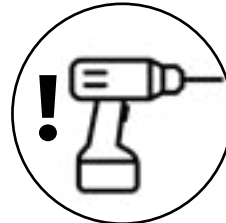
Step 4



Drill bit required for installation.
Not included



A screwdriver is required for installation.
Not included



A drill is required for the installation.
Not included

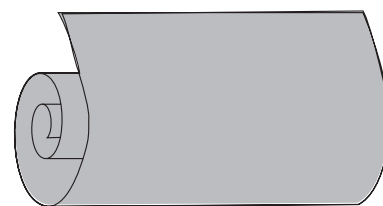
4.6 - Placement of the protective bottom blanket

It is recommended to use duct tape to cover the rivets of the vertical profiles, which will be in contact with the pool cover. In this way, it prevents the cover from getting punctured.

Before covering the ground, it is advisable to sweep and vacuum the concrete slab in order to remove dirt, such as stones, branches, leaves, etc.

Place the blanket to protect the cover. Avoid wrinkles so that they are not noticeable once the pool is filled with water.

Cut the cover according to your pool model, adapting it to its shape.



MPROV610



Duct tape is required for the installation.
Not included

4.7 - Placement of the Liner

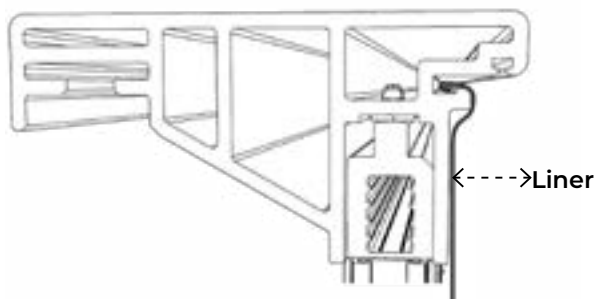
Remove the cover from the box very carefully. Stretch it and lay it out in the shade so it can regain its shape. Perform this step at least two hours before placement. The ideal temperature for installing the liner is 25° - 30°C.

Do not use sharp objects, as the cover may get punctured. The warranty does not cover punctures due to improper handling. Remove your footwear.

Stretch the cover by bringing it closer to the corners of the pool. It is very important to carry out this step with caution, as the final aesthetics of your pool will depend on the proper placement of the cover.

Very important (*). Locate the serial number on the top of the case wall, near the weld that joins the side, and write it down in the box on the instruction sheet for possible claims.

Insert the cover into the fastening slot. If at the time of completing this operation an excess of liner is observed at any point on the wall, distribute the excess evenly around the entire perimeter of the pool. This way wrinkles will be avoided.



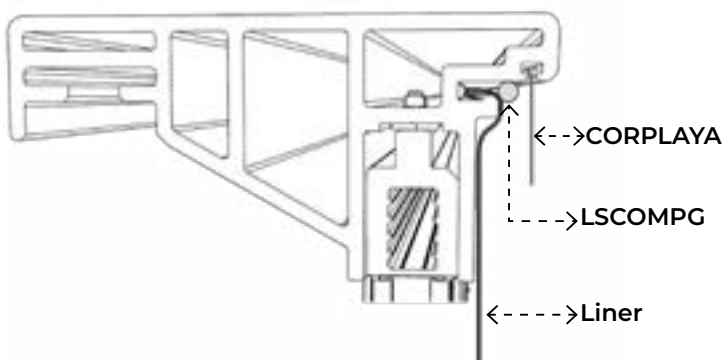
Once placed, fill the pool with water about 2-3 cm. and smooth out the wrinkles at the bottom. If there are folds at the bottom, it is not a reason to replace it with another, as it is not a manufacturing defect. Take your time. You should also adjust the corners of the bottom and sides of your pool. It is important to evenly distribute the liner along the entire side of the wall and secure it perfectly.

4.7.1 - Placement of the cord for securing the liner

After finishing placing the liner. Take the strip of cord (*LSCOMPG*) and cut 138 cm pieces of cord at a "miter" angle. (length of each beach). Insert each cord into each slot from end to end to secure the previously placed liner. Place them as close together as possible. Do not fill with water until placing all the cords on all the edges of the pool.

Before continuing to fill the pool with water and installing the filtration, we will place the decorative edging of the pool decks (*CORPLAYA*).

It is advisable to start at a corner of the pool and use a flat screwdriver. You can cut it if you think it's necessary.



KPCOR46T	KPCOR60(LT)
CORPLAYA15	CORPLAYA18
LSCOMPG	LSCOMPG



It is possible that due to the water pressure, the panels of your pool may bend slightly and the structure may make creaking noises. Don't worry, it is absolutely normal and there is no risk of the panels breaking.

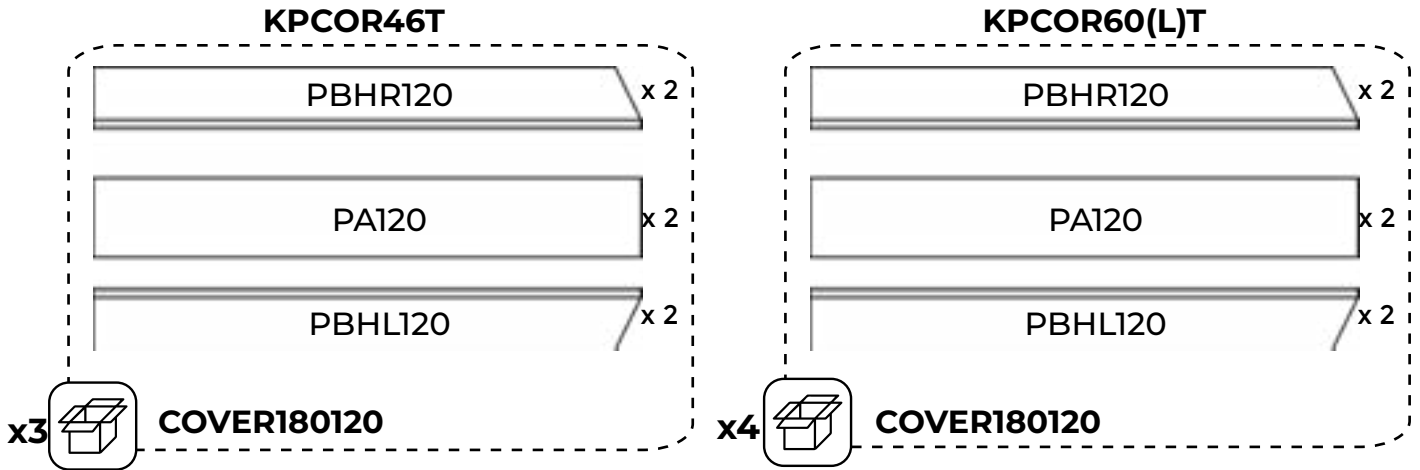
4.7.2 - Placement of the trim pieces of the structural system

It is about covering the vertical posts (IPE) to give the pool a nicer aesthetic. It is just a decorative piece.

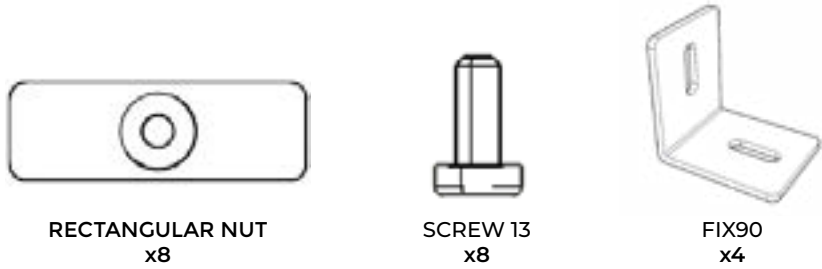
There are two types of trim, those that cover the structural system and those that cover the corners of the pool.

4.7.2.1 - Straight zone

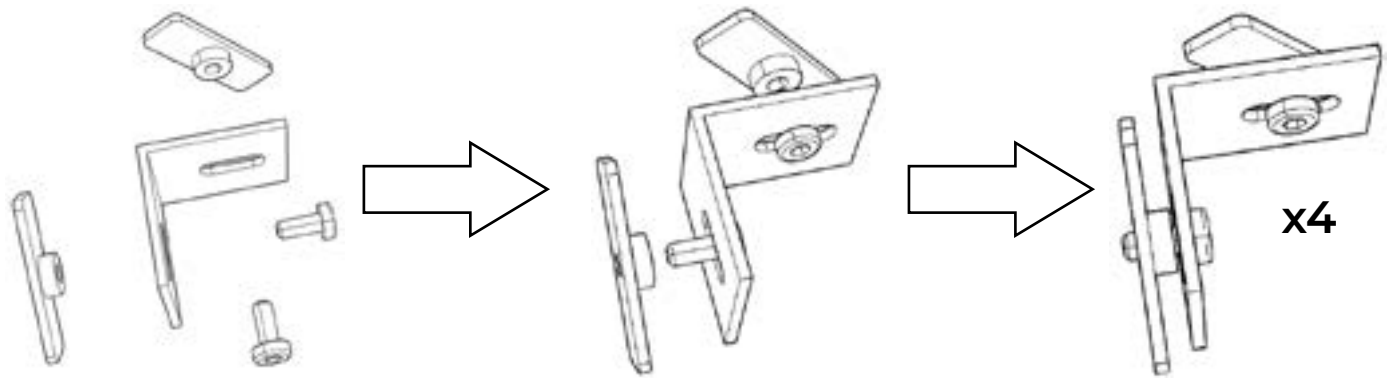
We will start with those located in the straight areas. You must identify the COVER180120 references. Each box contains the necessary pieces to cover two IPE profiles.



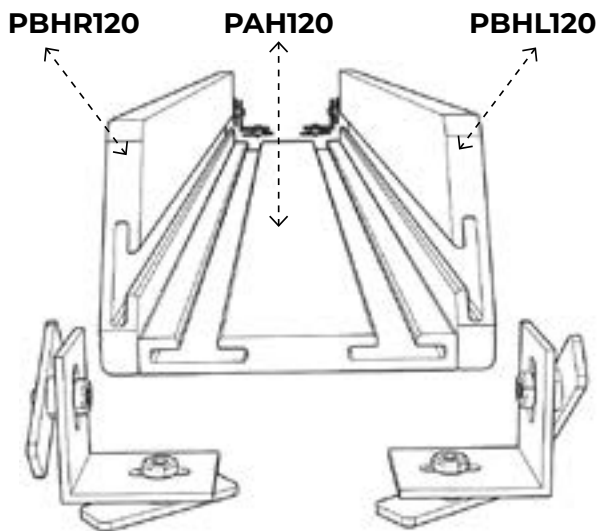
To mount each trim piece, the following parts are needed:



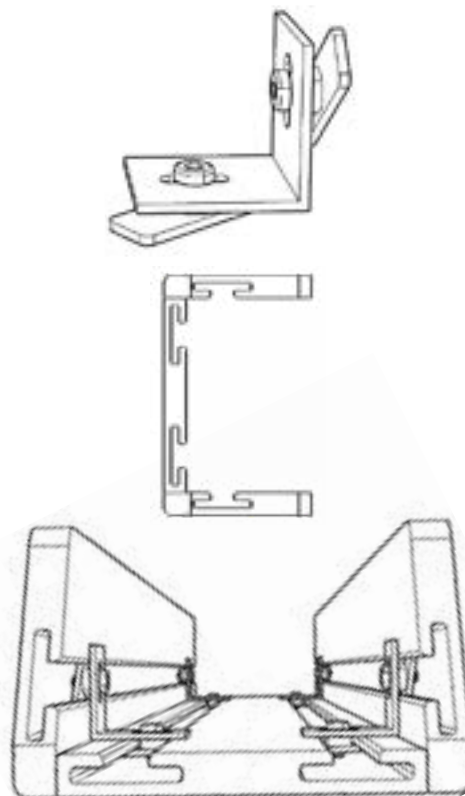
We will follow the steps shown in the images. Each trim will have 4 sets.



They must be fixed firmly. It is possible that, if we add the contractions and expansions of the material over time, these assemblies may end up loosening. For that reason, to avoid having to adjust them again, we recommend securing them with a special adhesive for screws.



x4



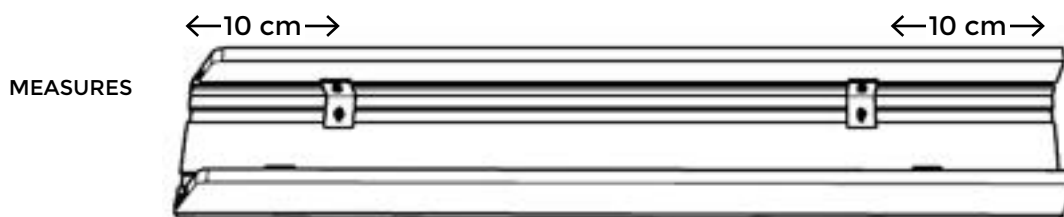
In this photo, the trim is perfectly mounted and ready to be placed against the pool panels.

They must be firmly secured. It is possible that, if we add the contractions and expansions of the material over time, these assemblies may end up loosening. For that reason, to avoid having to adjust them again, we recommend securing them with a special adhesive for screws.

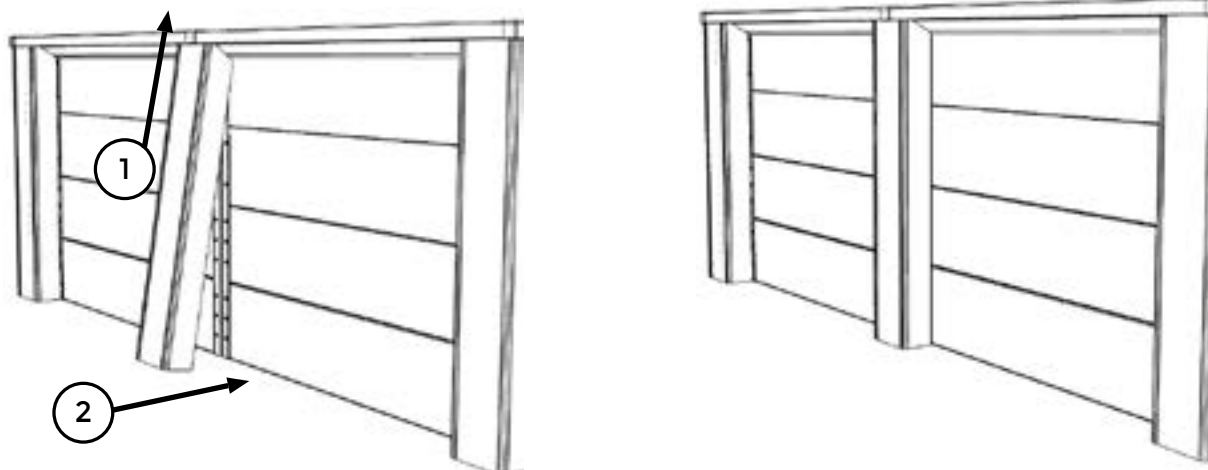
Application of adhesive on the rectangular nut

Apply a drop of specific adhesive for screws (for example, anaerobic thread locker) on the thread of the *RECTANGULAR NUT before assembly. Ensure that the surfaces are clean and dry to guarantee optimal adhesion.

Once the assemblies are installed on the rails, we recommend securing them in the following position.

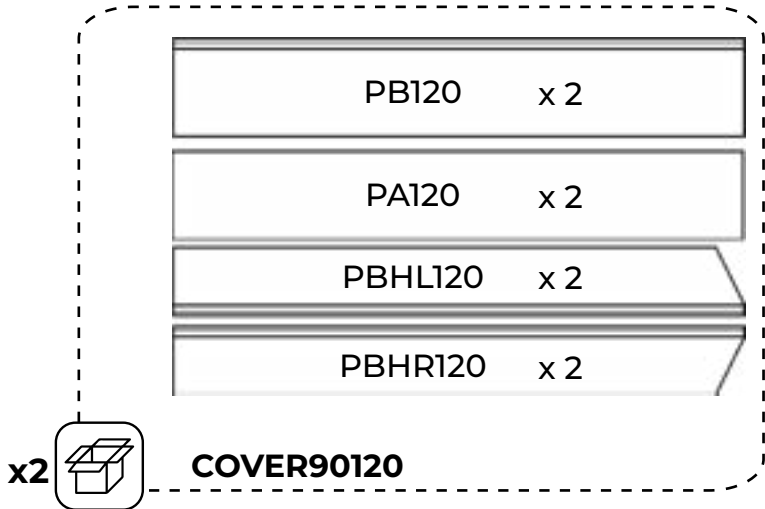


We will have to insert the top part of the trim into the bottom part of the beaches (1) to finally push the bottom part until it touches the panel (2).



4.7.2.2 - Corner Zone

Each COVER90120 box contains the necessary pieces to cover two corners of your pool.



To mount each trim piece, the following parts are needed:



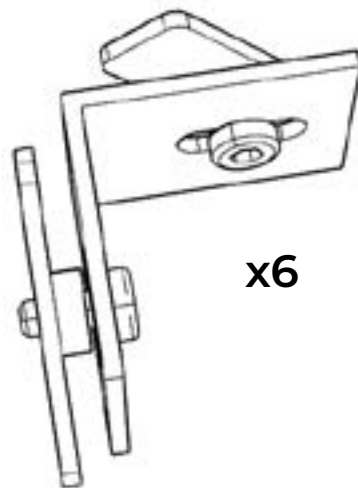
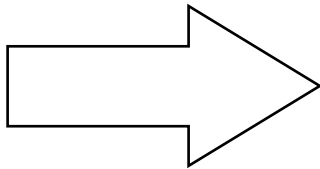
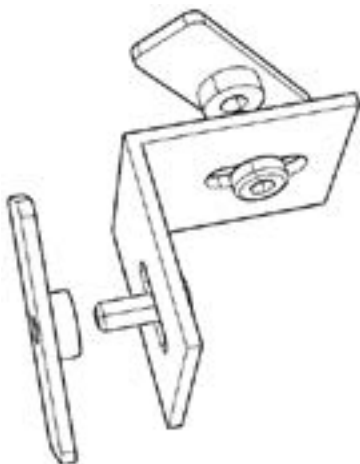
TUERCA RECTANGULAR x12



SCREW 13 x12



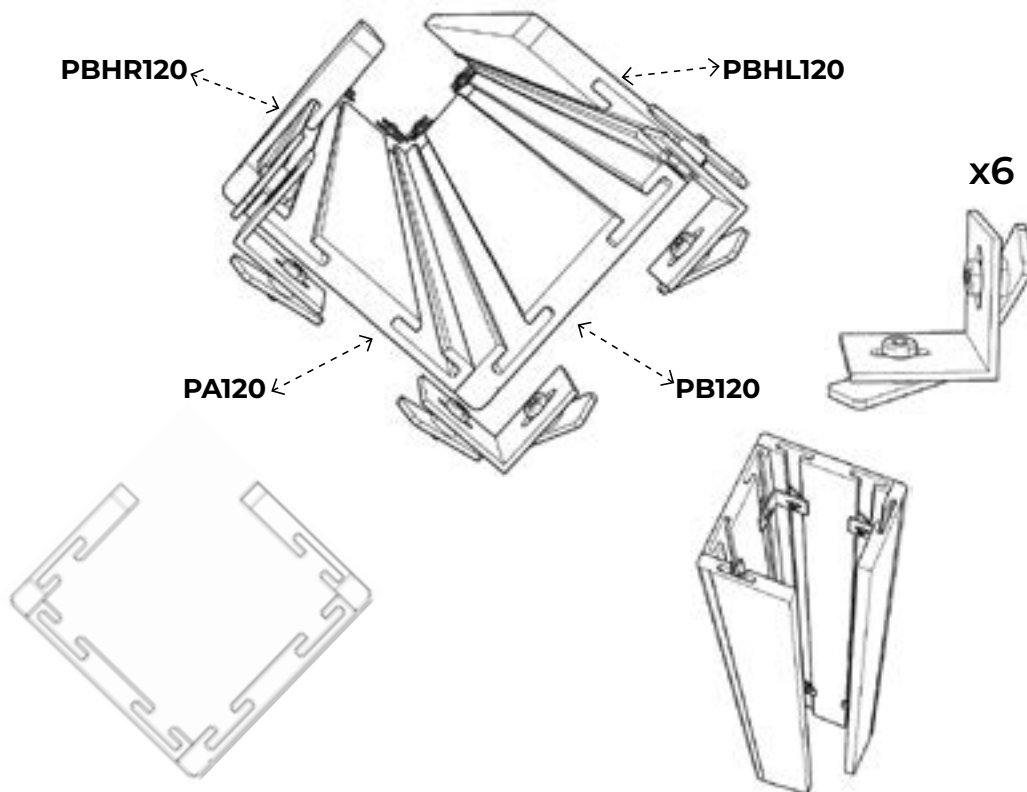
FIX x6



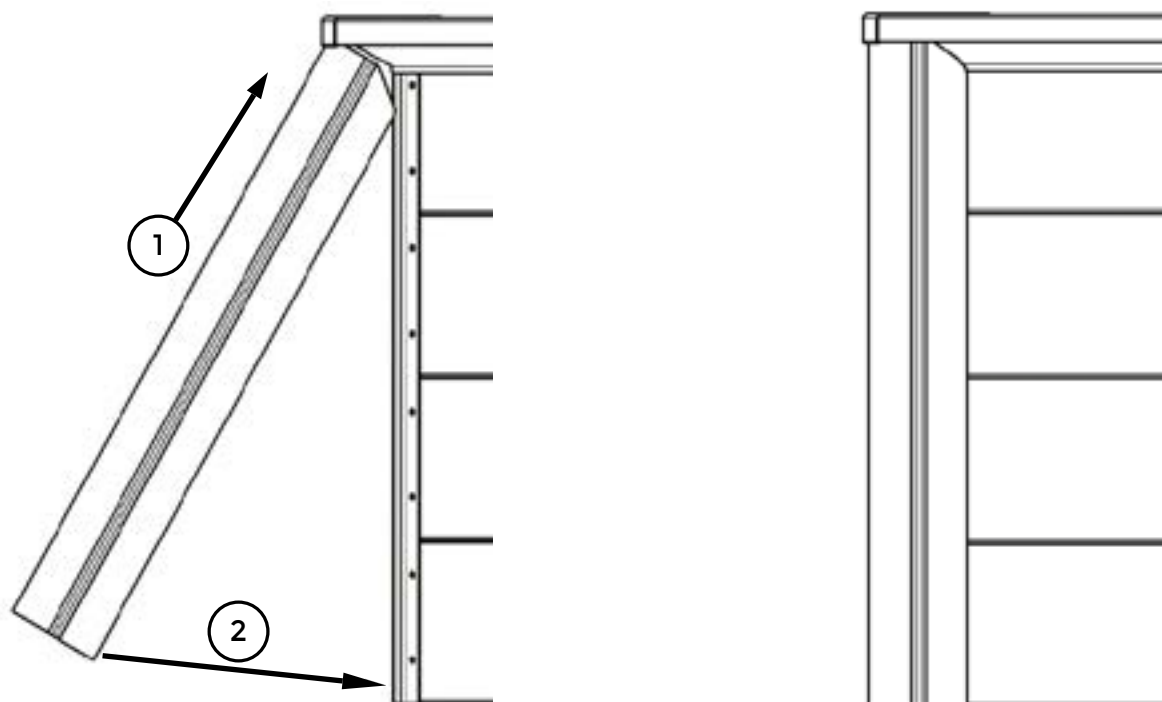
They must be firmly secured. It is possible that, if we add the contractions and expansions of the material over time, these assemblies may end up loosening. For that reason, to avoid having to adjust them again, we recommend securing them with a special adhesive for screws.

Application of adhesive on the rectangular nut

Apply a drop of specific adhesive for screws (for example, anaerobic thread locker) on the thread of the *RECTANGULAR NUT before assembly. Ensure that the surfaces are clean and dry to guarantee optimal adhesion.



Once the trim is assembled, we install it in the corner following these steps:



4.7.3 - Placement of the trim on the beaches.



These pieces are used to cover the joints of the decks (there must be a space between the decks). Its function is aesthetic.

It is possible that due to irregularities in the terrain, the trim may not fit completely. If this happens, do not worry as it does not affect the structural system. In that case, we advise using double-sided tape or Velcro to fix it.

Locate the trim pieces. All the pools have angular-shaped

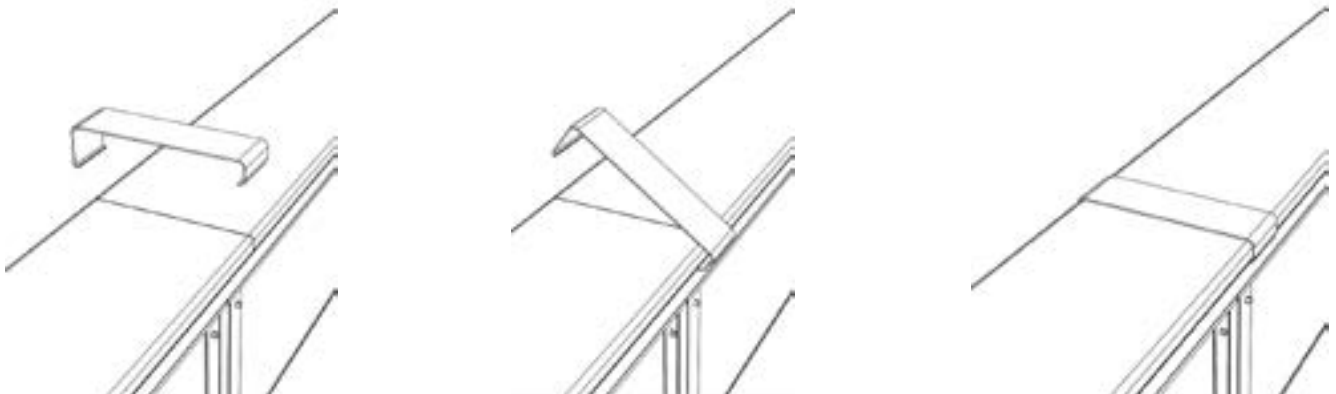
embellishments. Place them at the junctions of the beaches.

It is not necessary to screw them in.

ANG090



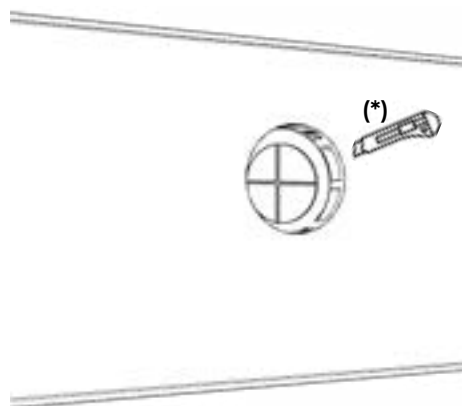
ANG180



4.8 - Placement of the return nozzle

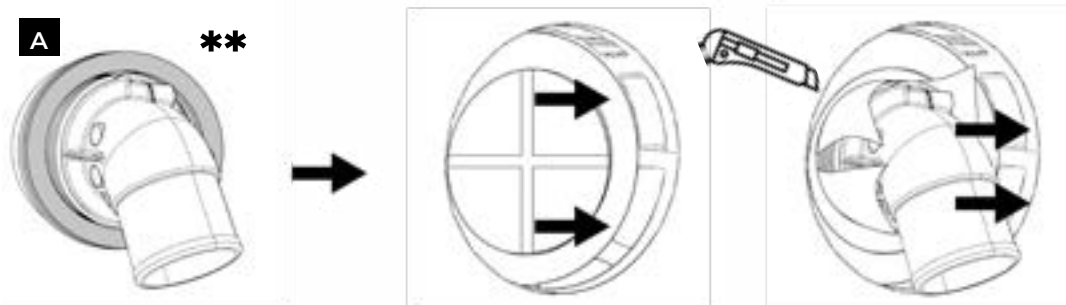
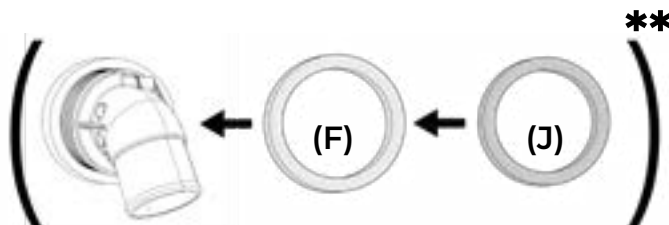
It is a valve located at the bottom of the pool wall, through which the purified water from the purifier returns. Begin filling the pool (with a garden hose) until it reaches 4 cm below the lower edge of the nozzle. Mark the hole on the liner with a marker and make a cross cut in the center using a cutter (blade), without exceeding the die-cut hole.

You can also cut the liner before inserting the nozzle, making a circular cut by supporting a flat surface from behind. Locate two return valves of the skimmer box. There is a valve with a smooth end, which you can use with the hose provided in your pool kit. On the other hand, you will find another return valve with a threaded end. You should use this piece if you want to install a semi-rigid PVC hose (not included). In this case, you need an adapter to change from a 38 mm diameter to a 50 mm diameter, which you can find at your nearest hardware store.



The nozzle is inserted from the inside of the pool through the cut made, with a friction ring (F) and a gasket (J) already placed on the nozzle (**). In this way, the gasket (J) remains in contact with the liner.

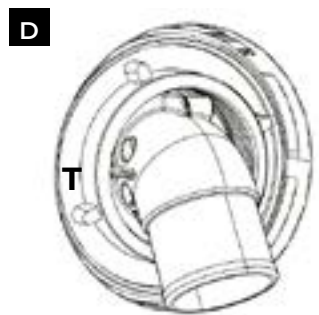
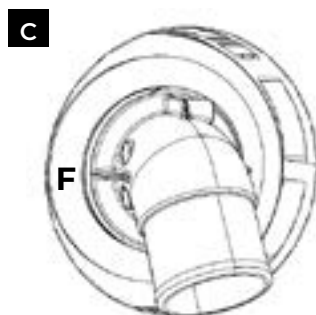
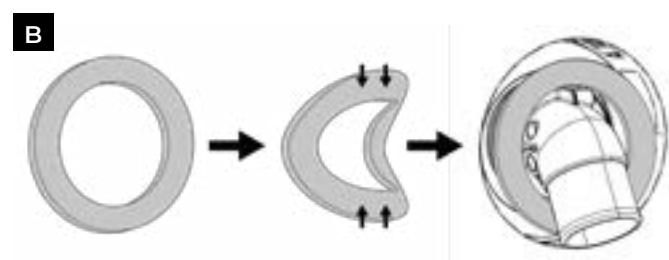
Cut the piece of liner that protrudes on the outside. (Photo A)



The other gasket (J) is placed from the outside, bending it and passing it through the panel, so that it is in contact with the liner and the panel. (Photo B)

Place the other friction ring (F) (Photo C) and tighten firmly with the nut (T). (Photo D)

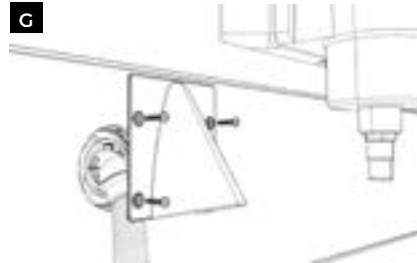
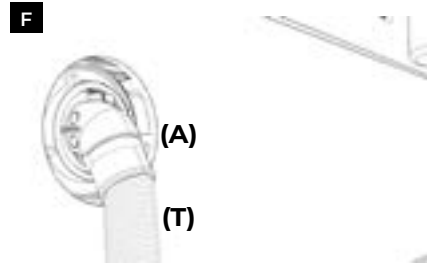
To insert the nut from the outside, the person inside the pool holding the return valve must make a slight backward movement to secure the nut with the composite panel from the outside. (Photo D - E)



Insert the return hose (M), which goes from the outlet of the purifier to the return nozzle (V) and secure it with the clamp (A) (photo F). When the filtration is in operation, you must install the safety trim as shown in photo G.

Use the included screws. Tip: you can use a 2 mm drill bit to make a guide in the panel. In this way it is more easy to screw it. It is advisable to secure it once the filtration is started.

This way you can fix any problem you have with the filtration without needing to remove the trim.



4.9 - Attachment of the Skimmer body (S) to the outside of the pool:

Continue filling the pool with water until the level is at 4 cm. from the bottom part of the skimmer die. Attach the sealing gasket and place the skimmer frame. Screw it in with a screwdriver.

Cut with a cutter (blade) the liner (L) that is inside the pool and occupies the die-cut area.

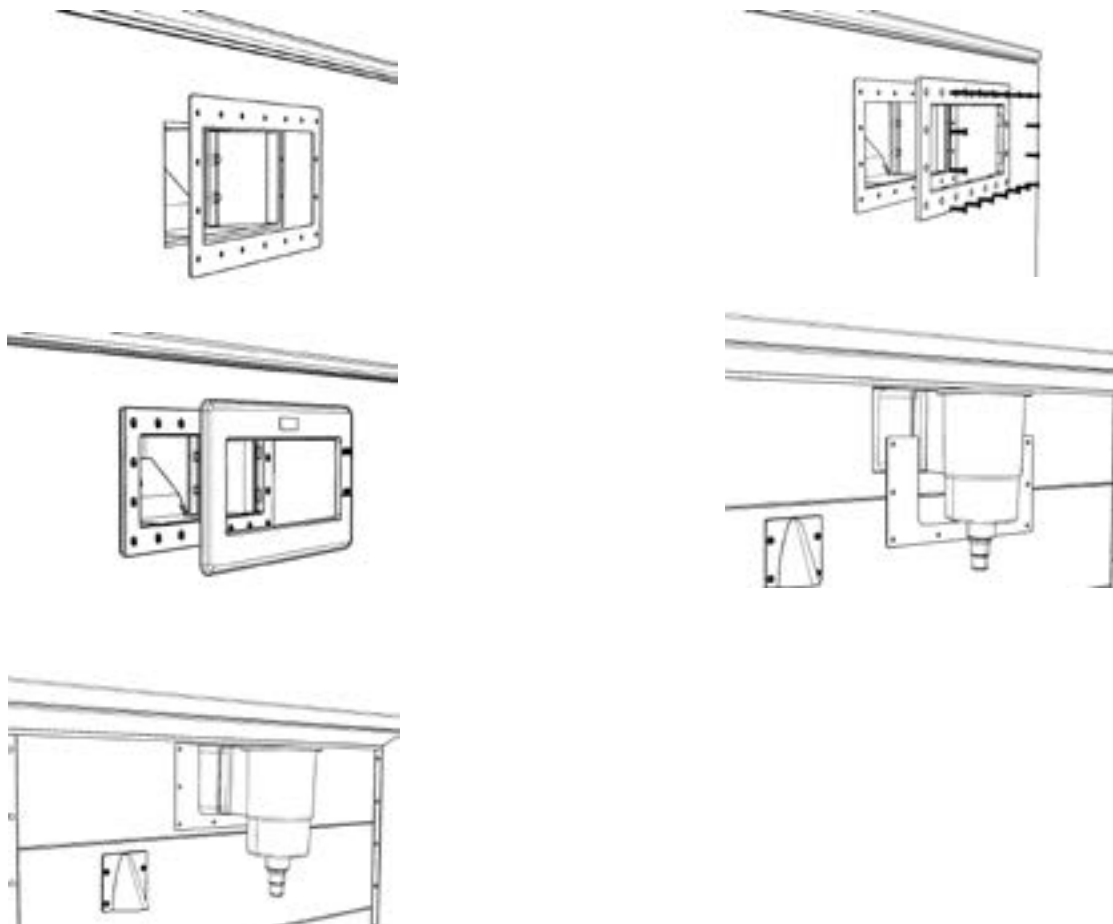
Finally, put on the trim. Note that the trim has "max" and "min" markings. They indicate the maximum and minimum water level that your pool should have.

Cover the connection sleeve (C) and the water inlet of the

purifier with Teflon. Tightly screw the connection sleeve (C) to the skimmer body and connect one end of the hose with the help of a clamp (A) to the skimmer connection sleeve (C).

Attach the other end of the hose to the water inlet of the purifier and tighten with the help of a clamp.

IMPORTANT: Apply Teflon to all water connection threads. Look for the aluminum trim of the skimmer. To attach it to the panel, take 6 screws (SCREW COUNTERSINK BLP).



4.10 - Placement of the interior staircase

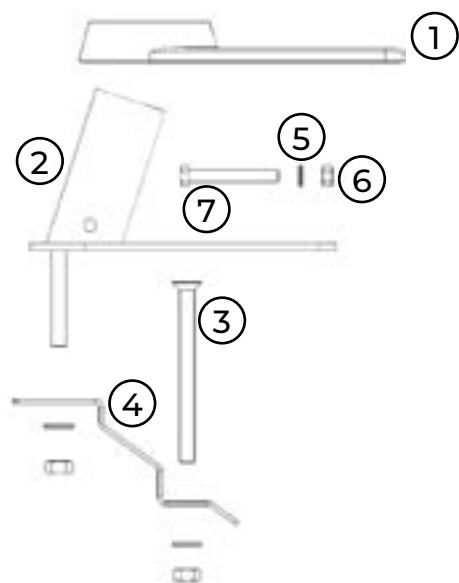
Take out the ladder and follow the assembly instructions. Think about the place in your pool where you want to have the entrance. To make it more realistic, you can set it up and present it inside your pool without installing the anchors. Simply lean it on the beach. (Step 1)

Look for two metal plates. These pieces are essential for properly securing the ladder. Present one of the two plates and make a hole from below with an appropriate drill bit No. 10. (Step 2)

Place piece 2, the anchor, in such a way that it aligns with the hole. Insert the shorter screw and secure it with a nut and washer. Finish securing the plate by making another hole and fastening it with the longer screw. (Step 3)

Once one anchor of the ladder is fixed, present the other anchor. Mark the spot where the screw holes should be made. This step is very important, as the distance between the handrails of the staircase must match well. (Step 4)

Parts identifier:

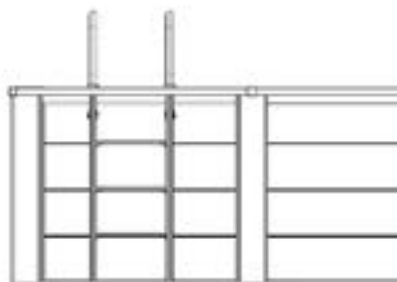


- 1: Trim
- 2: Anchorage
- 3: Pin
- 4: Platen
- 5: Washer
- 6: Nut
- 7: Screw fix

Steps to follow for assembly:

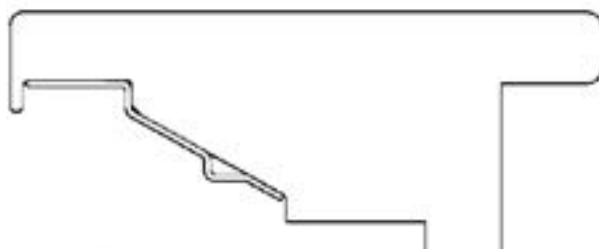
Step 1

Center the ladder in the middle of the desired beach.



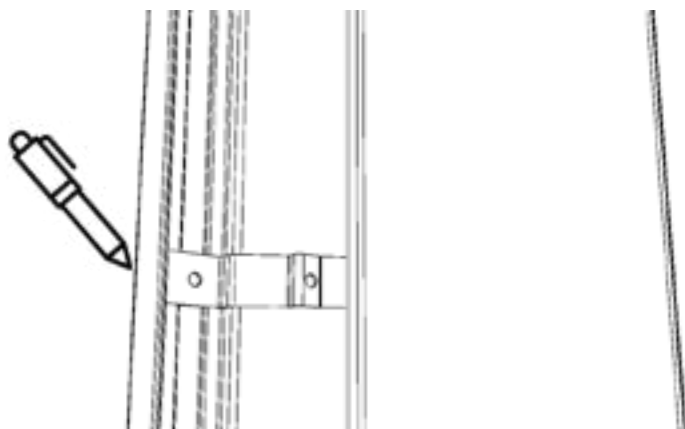
Step 2

We will place the plate (4) at the bottom of the beach.



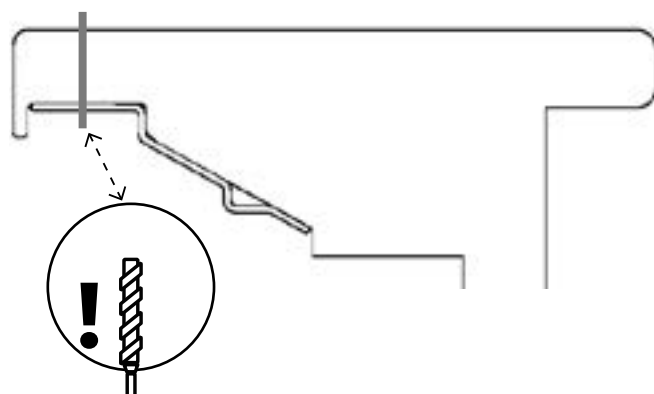
Step 3

We mark the top hole on the beach with a permanent marker.



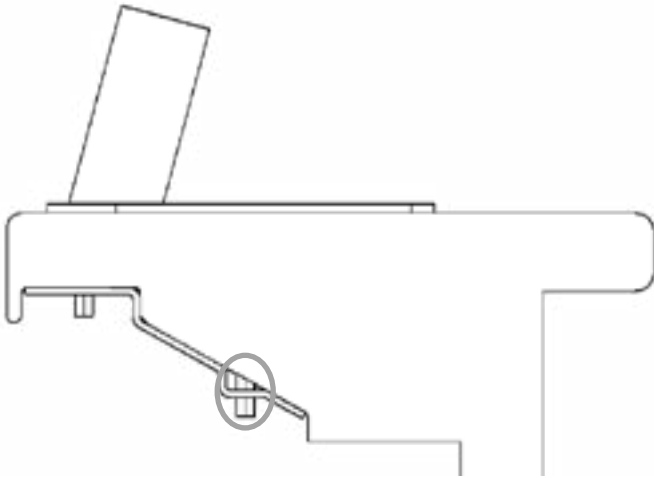
Step 4

Then a perforation must be made that goes through the entire beach perpendicular to the marked face. It is advisable to first use a finer drill bit and once the piece is pierced, use a wider drill bit.



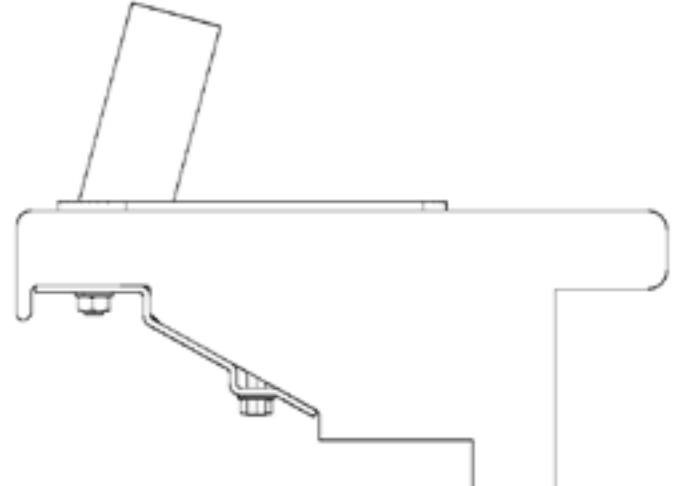
Step 5

Then we will insert the piece (2) and attach it to the plate (4) using the washer (5) and the nut (6). (Step 5)



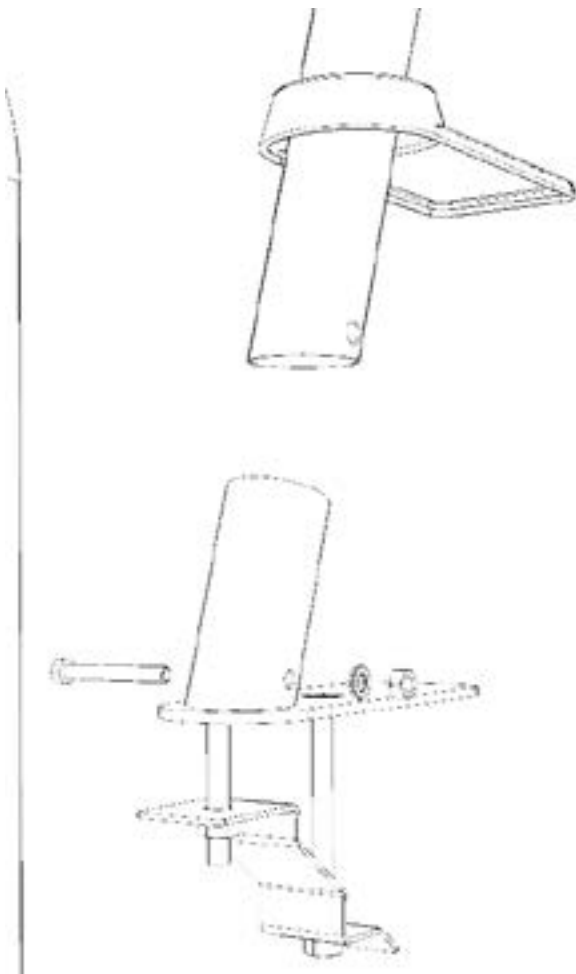
Step 6

Once the previous step is set, we will repeat the same process with the lower hole of the plate (4) and insert the bolt (3) and secure it in the same way. (Step 6)



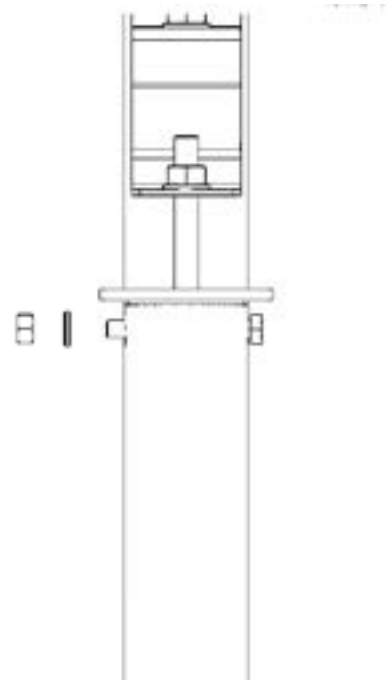
Step 7

Attach the handrail to anchor 1 using the fixing screw (7), washer (5), and nut (6). Do not forget to insert the trim (1) before assembly. (Step 7)

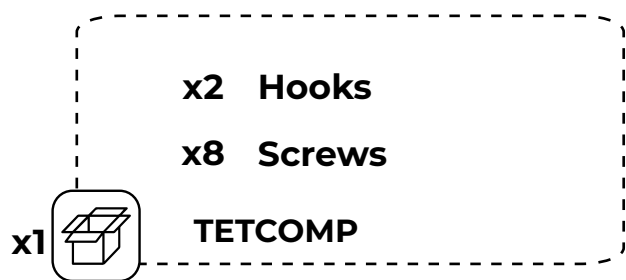


Step 8

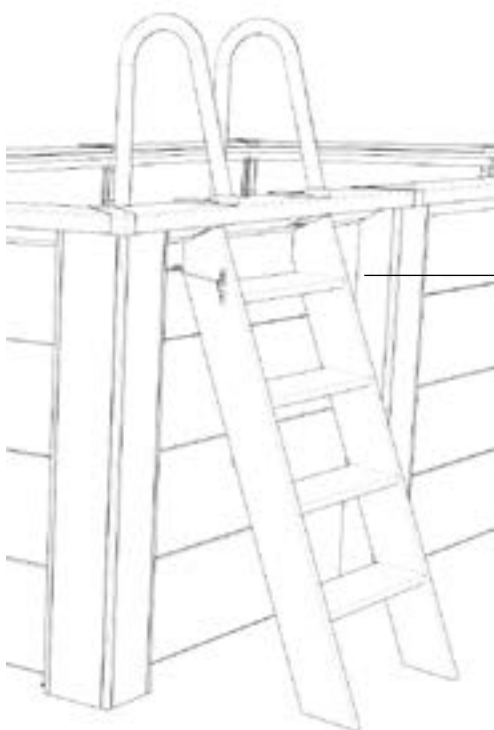
To secure the missing attachment, place the entire ladder and mark the location of the plate (4) again with a marker. The same steps must be followed. (Step 8)



4.10.1 - Placement of the exterior staircase

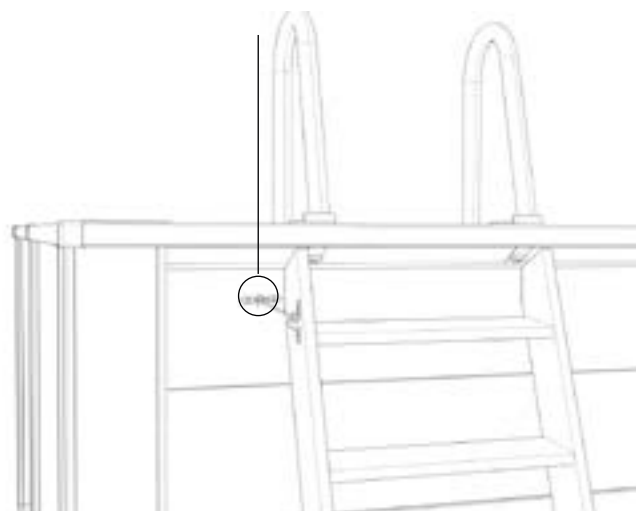


Carefully remove the ladder from the box and place all the parts on a flat surface. Locate the 8 screws (3.5 x 25 mm) and the two hooks included in the TETCOMP. Check that no items are missing before beginning installation.



Installation area

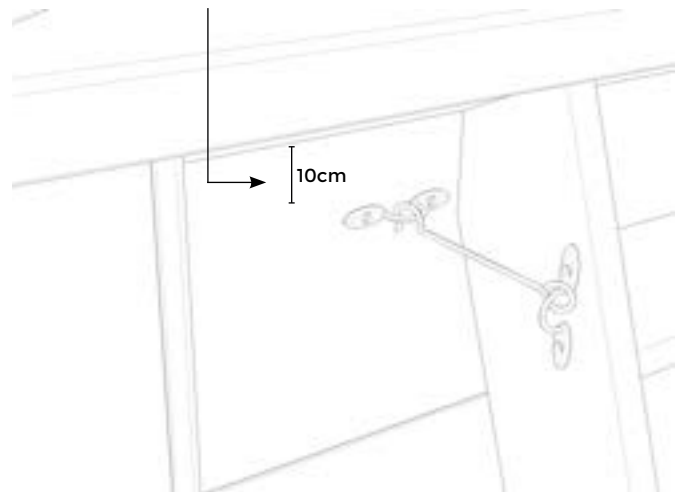
Puntos de fijación



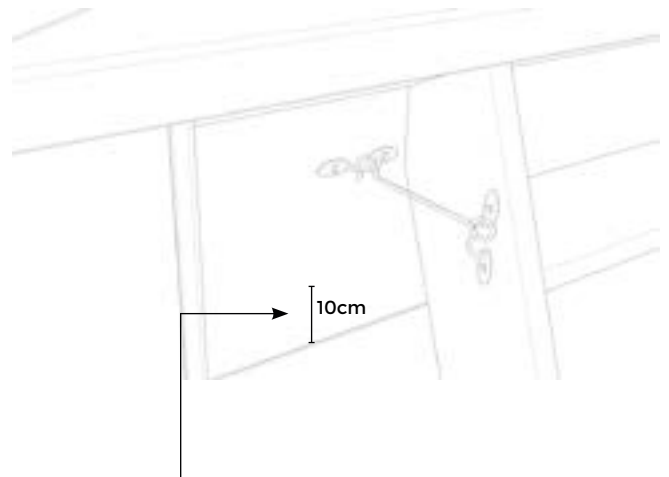
Place the ladder gently against the outside wall of the pool. Ensure that it is upright and centred in relation to the handrail. Once it is in the correct position, remove the ladder to mark the fixing points.

Measure 10 cm from the top of the panel where the ladder will go and mark the spot. This mark corresponds to the top hole for installing the first mounting hook. Ensure that the mark remains aligned with the handrail.

First measure

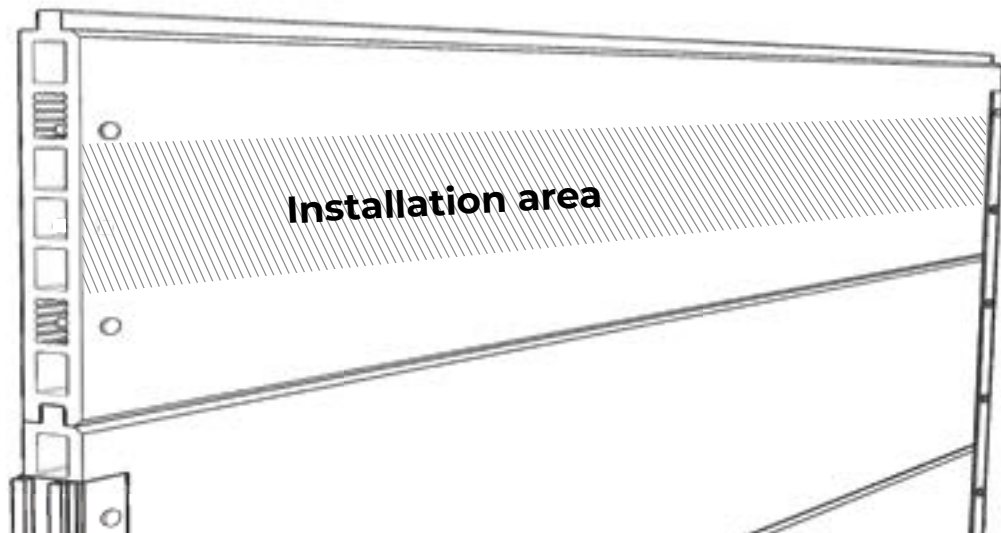


Now measure 10 cm from the bottom of the same panel to locate the hook so that it does not touch the metal area inside the panel. Mark that point centred and keeping the vertical line between both marks.

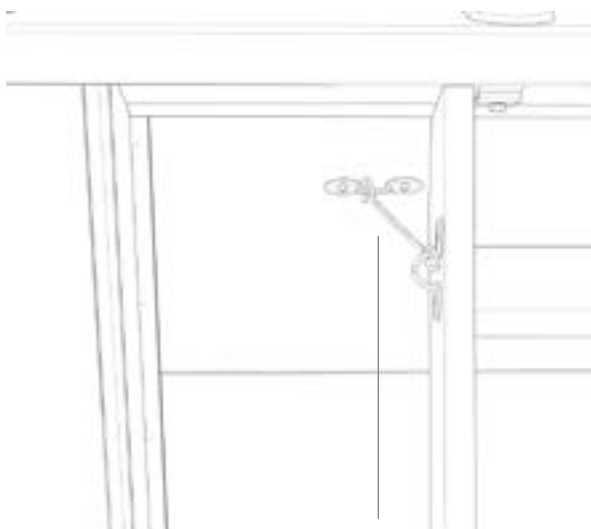


Second measure

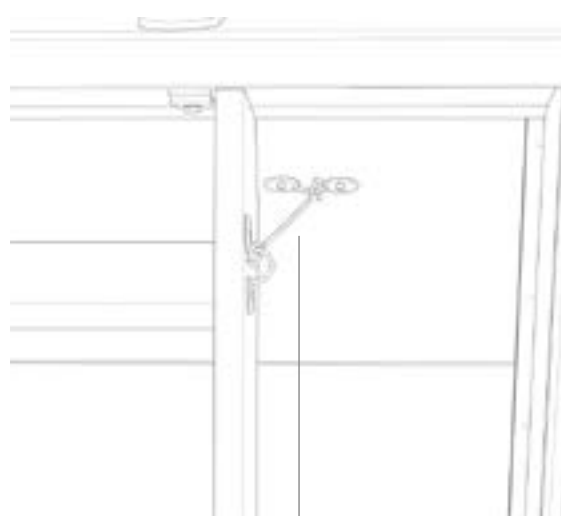
Once the measurements have been taken, ensure that the hook is only installed in the panel installation area indicated in this diagram, avoiding the two internal metal bars of the panel.



Take the first hook and place it over the top mark to check its orientation. Secure it using 4 screws, tightening firmly but without damaging the panel. Repeat the same procedure to install the second hook on the other side of the ladder.

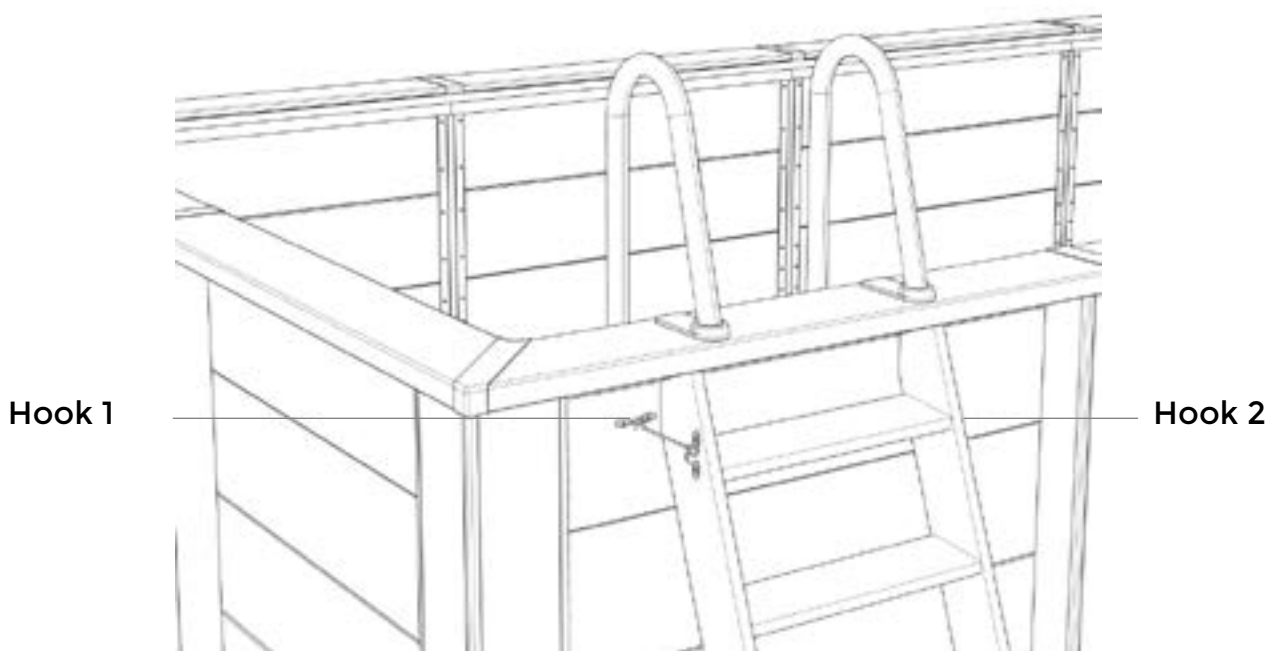


Hook 1



Hook 2

Once both hooks are installed, return the ladder to its final position. Hook the metal points of the ladder onto each hook and check its stability. Pull down gently to confirm that it is securely and correctly fastened.



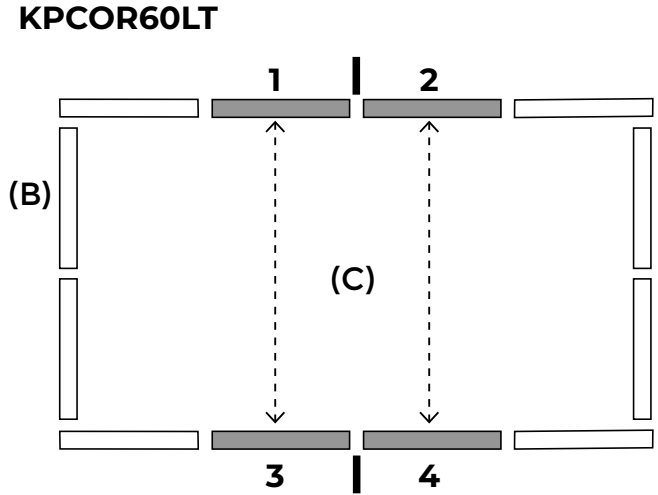
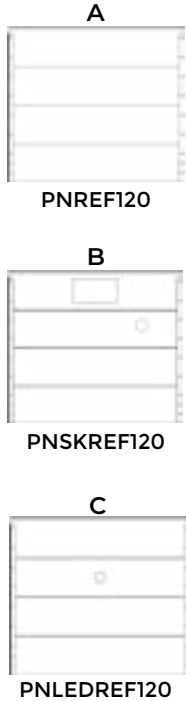
Hook 1

Hook 2

4.11 - Placement of the LED projector

NOTE 1:

KPCOR60LT: Your pool consists of 10 standard panels, 1 panel for filtration, and 1 panel for the LED. We advise you these 4 options for placing the panel with the die for the LED spotlight. This way, the light will be distributed better throughout your pool.

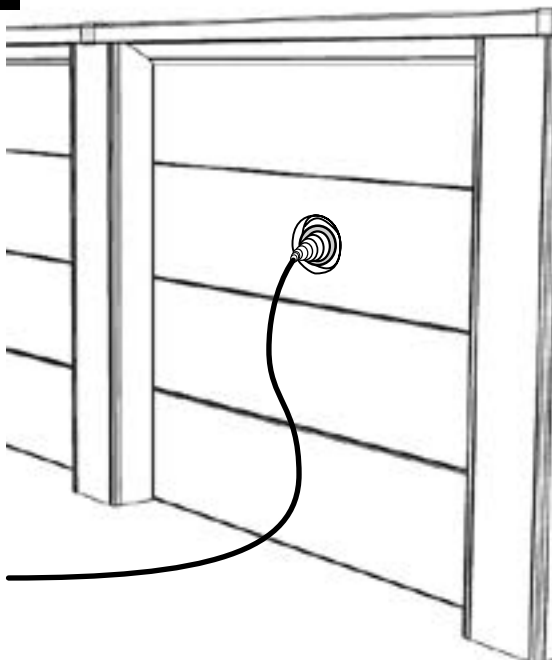


4.11.1 - Installation of the LED projector trim

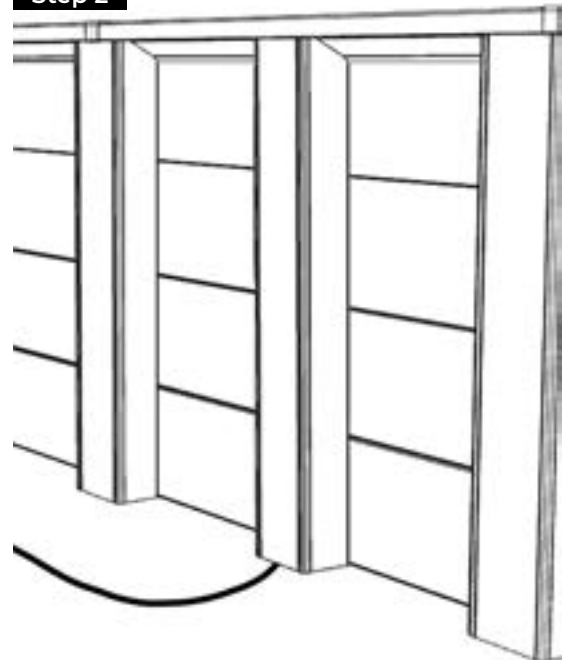
NOTE 2:

It involves covering the LED projector and the cable (Step 1), just as was done to cover the structural system (See section 4.7.2.1 Straight Zone). Locate the LEDCOVERT120 piece and place it as shown in the image (Step 2).

Step 1



Step 2



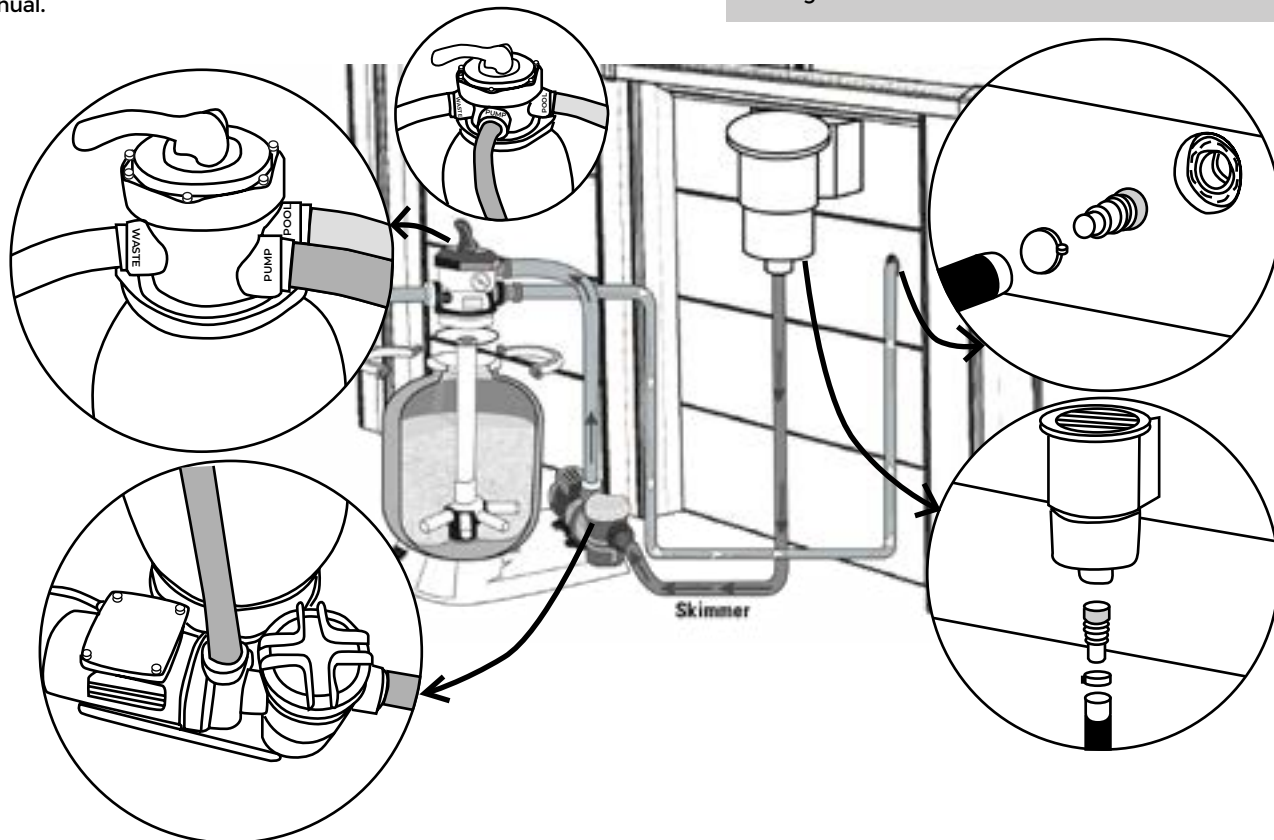
#5

Leakage.

ASSEMBLY TIPS:

The filtration must be located at a minimum of 3.50 m from the pool. The diagrams below aim to explain the direction of water flow. Refer to the manual included with the filtration group for assembly. Note: Fill the filter with 2/3 of clean and calibrated water; only one gauge is supplied, ensuring the proper functioning of the filtration. (1) The colors and connections of the filtration systems may vary depending on the models. Refer to the specific manual.

The multidirectional hatch determines a direction of circulation. The marks "PUMP" "RETURN" "WASTE" are engraved on the inlets and outlets of the hatch. The installation of all electrical systems must comply with the NF C15-100 standard. Consult the manufacturer about any modification of one or several components of the filtration system. The filtration pump should not be placed above the water level because it runs the risk of being deactivated.



All threaded connections must be assembled with Teflon* sealing tape, except for connections with an O-ring. Teflon should be wrapped in the opposite direction of the thread.

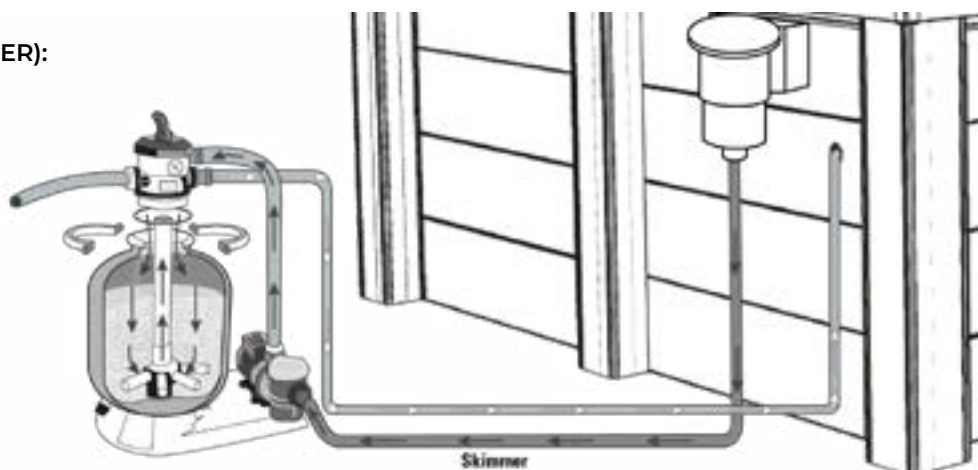
BACKFILLING: I finished filling the pool. The water level will be between the upper third and the middle of the skimmer mouth.

SAND FILTER

It is the oldest of the filtration systems. The filtered water passes through the sand (calibrated silicon) which retains all impurities. This type of filter is equipped with a multidirectional flap that allows for easy handling and cleaning.

DIFFERENT POSITIONS OF THE MULTIDIRECTIONAL VALVE (4 OR 6)*: When changes are made to the position of the multidirectional valve, the pump must always be stopped to avoid the risk of seriously damaging the filter and voiding the warranty.

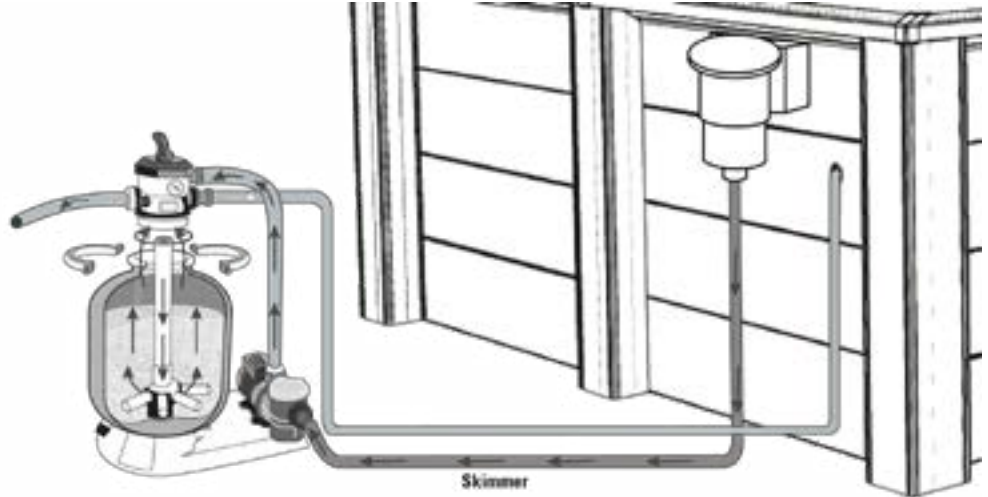
Usual position of the hatch that allows water from the pump to enter through the top of the filter and circulate through the sand, where all its impurities are collected. The water is collected in the bottom grate and returned to the pool. The manometer located at the top of the filter allows you to monitor the pressure. In case it increases by 0.2 bar compared to the commissioning pressure, it will be necessary to clean the filter.

1. FILTRATION POSITION (OR FILTER):

2. WASH POSITION (OR BACKWASH):

Sand cleaning position. Allows the water to circulate in reverse through the filter. Water enters through the bottom of the filter and causes the filtering mass to rise, thereby collecting

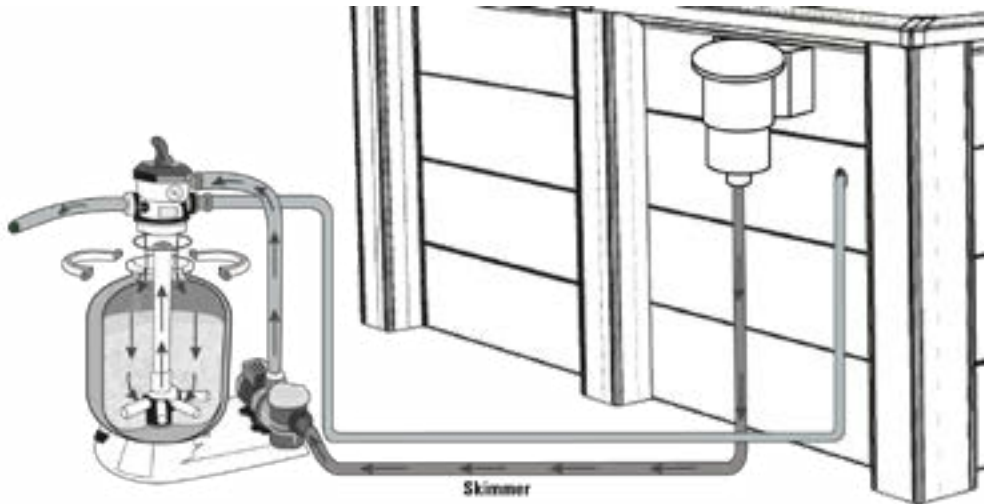
its impurities which, being lighter than the sand, are evacuated through the top of the filter towards the drain. This operation should last between 2 and 3 minutes.



3. RINSE / DRAIN POSITION OF THE FILTER**

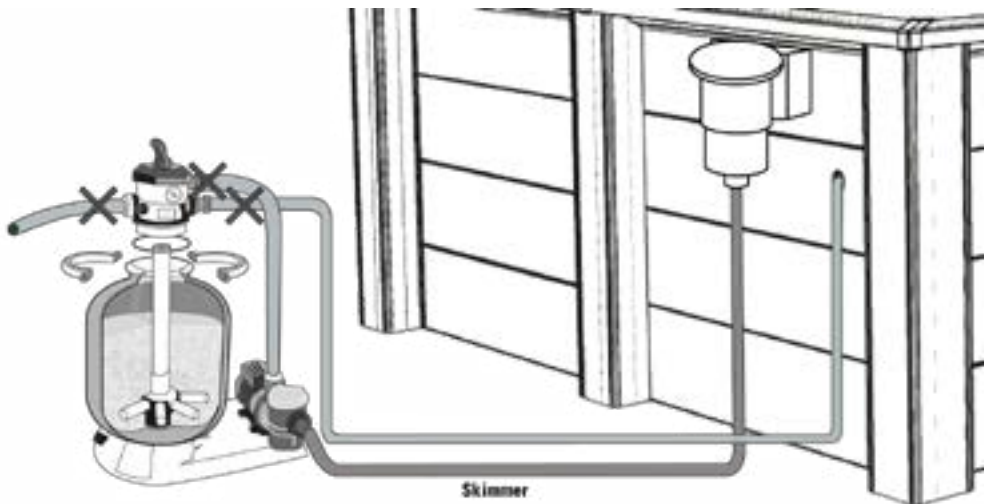
Operation that follows the washing of the filter. When the filter has been cleaned, it is essential to rinse and retighten the filtering mass. In this position, the water circulates through the filter as during filtration but is discharged through the drain at

the filter outlet. This operation should be performed between 20 and 30 seconds.



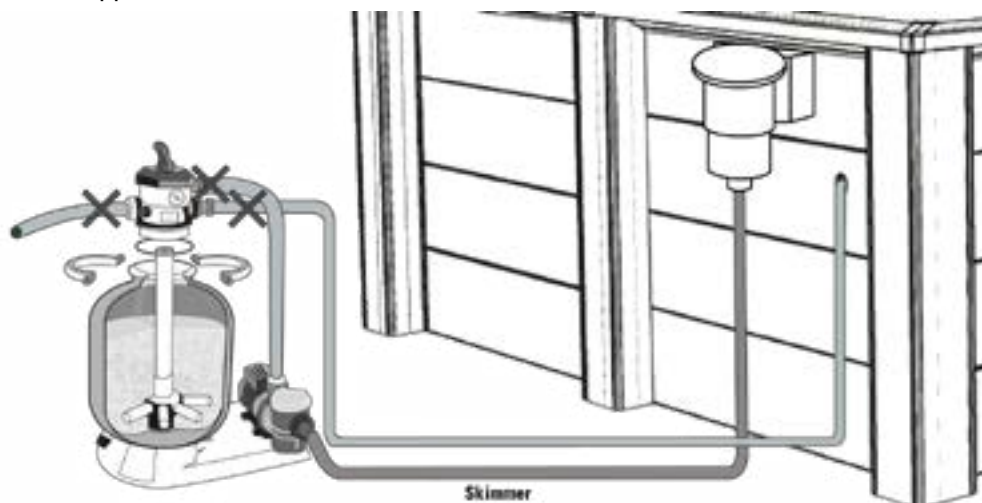
4. EMPTYING / DRAIN POSITION (OR WASTE):

Position to evacuate the water or to empty the glass. In this case, the water does not pass through the filter; it goes directly down the drain.



5. CLOSED POSITION:

This position does not allow water to pass and is used to put the pool into full winterization when filtration is stopped.

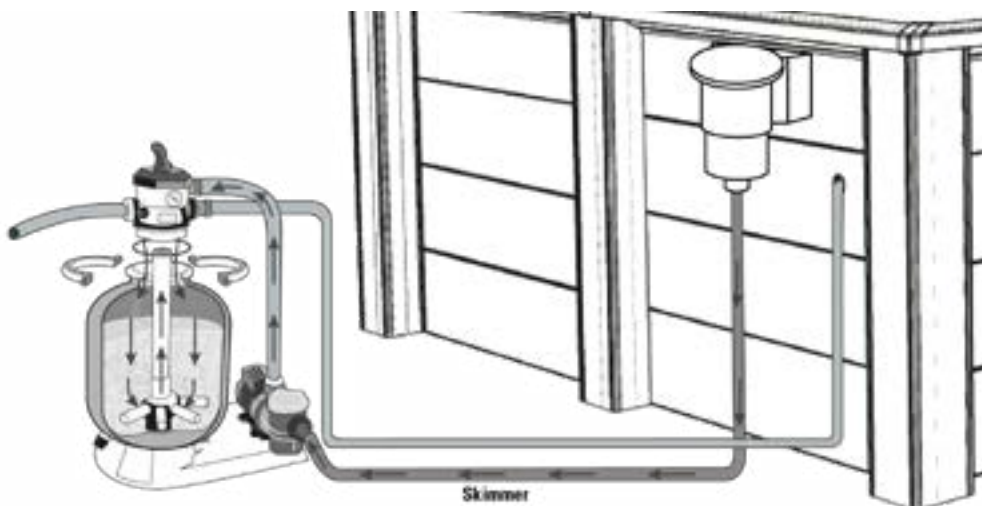


6. RECIRCULATION / CIRCULATION POSITION**:

Position used for water to circulate through the hydraulic network without passing through the filter. This possibility is used to stir the water if a product needs to be added to the pool or if some operation needs to be performed on the filter, since in this case the filter is isolated and the water coming from the pump is expelled directly.

* Some models come with a 4-way hatch (available options: Filtration, Wash, Drain/Closed or Winterization).

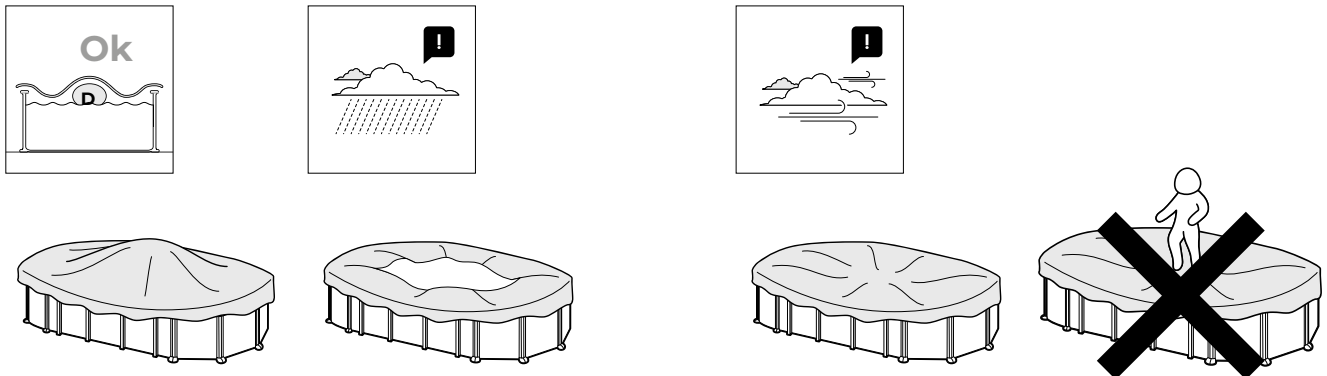
** These positions refer exclusively to the 6-way hatch.



The multidirectional hatch should never be operated when the pump is running.

#6

Maintenance and use.



The water level of the pool must always be maintained at least 15 cm from the upper edge.

During the pool kit usage season, run the filtration system once a day to ensure a complete renewal of the water volume, and always when the pool is not being used for swimming (see the purifier manual).

During the pool usage season, regularly check the level of obstruction of the filter media.

Review all the pool's screws and bolts, and check for possible points of corrosion as much as possible.

Never completely empty the pool. There is a risk of seriously damaging the structure of your pool if there is not enough water level.

Failure to adhere to maintenance instructions can pose serious health risks, especially for children.

The use of a pool kit involves adhering to the safety instructions described in the maintenance and usage guide.

Do not leave an above-ground pool kit outside empty.

Regularly clean the P.V.C. Liner, and the water level line with non-abrasive products. Periodically clean the joint fold between the bottom and the side of the liner, as it is an area where dirt accumulates. If you accidentally make a small hole in the liner, you can repair it with our AR202 or V12 patches.

Summer covers (isothermal) protect your pool from insects, dust, leaves, etc., and prevent the loss of water temperature. Always place it with the bubbles in contact with the water.



RESPECT THE ENVIRONMENT "DO NOT DISMANTLE THE POOL UNLESS IT IS STRICTLY NECESSARY." IN CASE YOU DO SO, WE KINDLY ASK YOU TO REUSE THE WATER. "WATER IS A SCARCE RESOURCE."

When your pool reaches the end of its useful life, it must be dismantled, the different materials (plastic and steel) must be separated, and taken to the recycling center specified by the local authorities.

WINTER

A) If we choose not to dismantle the pool

1- Clean the bottom and walls of the liner with a non-abrasive product.

2- Treat the water with a winterizing chemical product. It is recommended to use LIQUID WINTERIZER instead of buoys with solid product to avoid discoloration of the liner.

3- Leave the pool filled with water, taking into account:

a) For pools with a skimmer and return valve, water level 5 cm below the skimmer and close the return valve with the screw cap attached to the purifier.

b) For pools with intake and return valves, water level at 20 cm from the top edge of the pool, closing the valves using the screw system they incorporate.

4- Disconnect the hoses. Do not disassemble the skimmer or the valves.

5- Protect the pool with a winter cover, placing a floating element between it and the water, in order to protect it against the cold.

6- Purifier: disconnect it from the pool. Clean it, empty the sand or remove the cartridge, dry it, and store it in a covered, moisture-free place.

7- Accessories: remove all accessories (ladder, alarm, light, pole, ...), clean them with fresh water and store them.

NEW START-UP: Remove the winter cover, install the purifier, change at least 1/3 of the water, and perform a Shock Chlorination. Run the purifier for at least 8 uninterrupted hours.

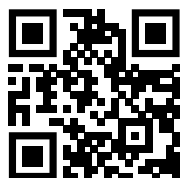
B) If we choose to dismantle the pool

1- Empty the pool. Purification Media, Bilge Pump or Principle of Communicating Vessels. Use the principle of communicating vessels: for this, take the hose from the purifier with the smaller diameter. Tie a weight to one of its ends and submerge it in the pool. Next, submerge the entire hose to expel the air from inside it. With the palm of your hand, tightly seal the free end of the hose under water and take it to where you want to drain the pool. Remove your hand and the water will start to flow. Do not use this water for irrigation, as it will contain chemical product.

2- Clean all the pool components with a sponge and a soapy product with neutral pH. Dry them and store them in a dry and clean place.

It is normal for the PVC liner to stretch and lose elasticity after several assemblies and disassemblies.

NEW START-UP: Read the Instructions in this manual again from



the beginning.

CHEMICAL AGENTS

Read the manufacturer's instructions for the chemical product carefully. **ATTENTION:** Store chemicals in a clean, dry place and out of reach of children. Important:

All products used must be compatible with the P.V.C. liner.

First fill: Analyze the pH and Chlorine (Cl) of the water and adjust them to optimal levels: pH: 7.2 - 7.6; Chlorine: 0.5 - 2 ppm.

Shock chlorination: It consists of increasing the chlorine level to approximately 20 ppm. to eliminate bacteria and algae. We will only carry it out when the pool water comes from rivers, ponds,... or has been without treatment for a long time.

Controls: Check the pH and Chlorine levels at least once a week. (Use a Chlorine and pH analyzer). Likewise, you should add Algaecide to prevent the formation of algae.

Never swim until the chlorine level stabilizes. Always use a floating dispenser for the dissolution of the chemical product (tablets). The dosage of chemical products is based on: The volume of water in your pool, the frequency of use, weather conditions, water temperature, and location. Always stir the water and wait for the dissolution of one chemical product before adding another. Wait approximately 12 hours. between each pH adjustment, chlorine, or algaecide while operating the filtration system.

MECHANICAL MEANS

Check that the purifier, skimmer, valves, and hoses are correctly connected to the pool. Please note that the higher the water temperature, the more filtration time will be needed. Theoretical filtration time = Volume of water / Flow rate of the filtration system (generally 8 h/day with the water temperature at 21°C), (Ideal: 2 h. in the morning - 4 h. at midday - 2 h. in the afternoon). Respect the continuous periods indicated in the manuals of the treatment plants.

VACUUM POOL CLEANERS (MANUAL OR AUTOMATIC)

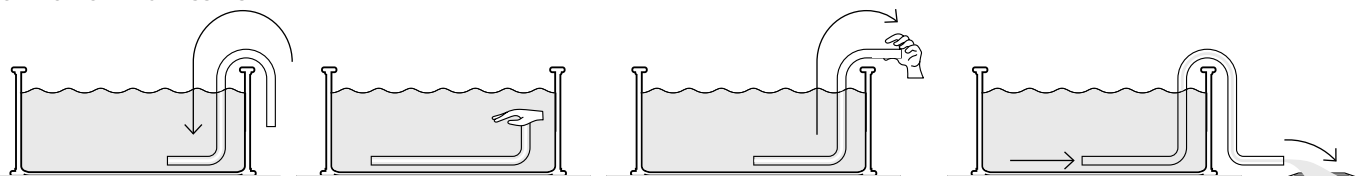
Only for pools with skimmer. Connect one end of the pool cleaner hose to the vacuum head and submerge it in the water to fill the hose. Connect the other end of the hose to the Suction Cap (TA) and place it above the skimmer basket. Start the purifier in the FILTER position and begin cleaning the bottom. Special attention to areas with folds where dirt accumulates.

VENTURI-TYPE POOL CLEANER

Attach a garden hose to the vacuum head and insert it into the pool. Turn on the tap at normal pressure so that the water flows against the bottom of the pool, creating an upward current that deposits the dirt in the filter incorporated in the pool cleaner.

PROBLEMS	CAUSES	SOLUTIONS
Turbid Water	Poor filtration. High pH. Excess of organic waste	Perform a backwash of the filter. Add CLARIFICANTE tablets in a dispenser. Perform a shock chlorination.
Green Water	Formation of algae or verdigris.	Gently brush the bottom and walls of the pool. Analyze the pH and adjust it between 7.2-7.6. Add algaecide and liquid clarifier.
Brown Water	Presence of Iron or Manganese.	Analyze the pH and adjust it between 7.2-7.6. Perform a shock chlorination. Add liquid clarifier.
Incrustations	Presence of lime in the water.	Analyze the pH and adjust it between 7.2-7.6. Add descaler once a week.
Eye and skin irritation. Bad odors	Unbalanced pH. Excess of organic waste.	Analyze the pH and adjust it between 7.2-7.6. Perform a shock chlorination.

SYSTEM DRAIN COMMUNICATING VESSELS



#7 Warranty

Warranty card

For any claim or after-sales service, keep your manual with the proof of purchase (receipt).

For any warranty claim, you should contact us through our website: www.grepool.com/post-venta, along with the proof of purchase. Photographs can be requested to justify it. No merchandise returns will be accepted without prior agreement. The customer will bear the costs of all merchandise returns (packaging and transportation).

AFTER THE VERIFICATION AND CONFIRMATION OF A MANUFACTURING DEFECT.

Products that indeed present defects will be repaired or replaced with shipping paid.

The warranty is limited to the repair or replacement of the defective part. It does not imply in any case a claim for compensation or damages.

THE WARRANTY DOES NOT APPLY IN THE FOLLOWING SITUATIONS:

- Use of materials not in accordance with our instructions.
- Damages caused by incorrect handling or non-compliant installation.
- The maintenance instructions were not followed.
- Inadequate or incorrect use of the chemical product.

IMPORTANT:

The company Manufacturas Gre exchanges components for others for their appraisal. If after the expert assessment no anomaly or dysfunction is detected, the company Manufacturas Gre reserves the right to charge the customer for shipping costs and other miscellaneous expenses.

DURATION OF THE WARRANTY:

Gre pools are subject to the legal warranty established by the General Law for the Defense of Consumers and Users, for 2 years from the date of delivery (except in those countries where the current warranty regulations establish a longer period), and in accordance with its terms. We remind you that in order for the warranty to be applicable, you must present the proof of purchase and/or delivery of the product. Manufacturas Gre provides an additional commercial warranty of 3 or 2 years, added to the country's legal warranty to cover a total of 5 years. This additional commercial warranty will apply exclusively to the metal parts of the pool structure and will not affect the consumer's rights under the legal warranty.

They are excluded from both guarantees

The Liner (P.V.C.) in case of disassembly and reassembly of the pool.

The stains or discolorations that may appear on the cover as a result of its use.

Damages to the pool resulting from poor preparation of the ground on which it is located.

The damages to the pool resulting from its burial.

Any damage to the pool resulting from misuse, in accordance with the instruction manual.

The beaches (PLYCOMPXXX)

Likewise, all plastic parts will be excluded from the additional commercial warranty, that is:

- The liner or cover
- The decorative pieces

To benefit from the warranty, your pool must include this document.

Valid warranty for pools sold from January 1, 2016.

Liner: 2 years for the seams and watertightness under normal usage conditions. Not covered by warranty: Tears, breaks, ruptures, stains (treatment products directly in the water), stains linked to algae growth, stains related to the decomposition of foreign bodies in contact with the liner, stains and discolorations resulting from the action of oxidizing products, color maintenance and wear due to the action of the material on various surfaces. The deformation of the liner that has been left for more than 24 hours without water (never completely empty the pool). It is mandatory to keep the label with the serial number of the liner present on the product and its packaging. For any eventual request for warranty assumption, a sample of the liner will be required.

Filtration group: The pump has a 2-year warranty (electrical problem) under normal conditions of use. Not covered under warranty: the breakage of parts (pump base/sand tank, pre-filter cover, selector valve...), deterioration due to a faulty connection, use of the pump without water, deterioration from abrasion or corrosion (the filtration unit must be placed in a cool, dry location, protected from water splashes).

Other components: 2 years.

THEY ARE EXCLUDED FROM THE WARRANTY:

- The cuts in the liner
- The assembly and connection of the filtration
- The assembly
- The filling of water
- The placement of the edges
- Wintering
- Maintenance

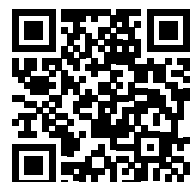
GEOGRAPHICAL SCOPE OF THE WARRANTY:

The warranty is valid for all member countries of the European Union, UK, and Switzerland.

Gre offers the buyer - in addition to the warranty rights to which they are entitled by law against the seller and without limiting them - a right according to the conditions of the following guaranteed obligations for new products.



If you have any problem, consult us:
www.grepool.com/post-venta



BEFORE ASSEMBLY

SAFETY INSTRUCTIONS

It is mandatory to place the filtration kit (filter + pump) at a minimum distance of 3.5 meters from the pool to avoid the risk of electric shock.

It is mandatory to provide for the installation of a special differential protection device for pools in the electrical supply of the pump, in accordance with regulations.

Never leave children unattended near the pool.

After each bath, remove the exterior ladder to prevent accidental falls of children or pets into the pool (Standard EN P90-317).

This pool is intended for exclusive family use. Walking on the edges or diving or jumping from them is not allowed.

DURATION OF THE INSTALLATION

The installation of the pool requires the involvement of at least two people and takes two days (apart from the preparation of the ground and filling).

BEFORE THE CONSTRUCTION OF YOUR POOL, MAKE SURE

- From the intervention of a qualified person to perform electrical connections.
- That the water supply is sufficient to fill the pool.
- That he has read the manual thoroughly, step by step, to fully understand the installation of the pool.

PLACEMENT ADVICE

You must prepare the ground as indicated in this manual in the chapter "installation."

DO NOT PLACE YOUR POOL

- Under power lines
- Under the branches of trees
- On an unstabilized ground

A good location allows you to save time and avoids limitations. The pool should be in a sunny and easily accessible location.

The location of the pool must be free of pipes or electrical connections.

Please note that it is preferable to set up the pool on a sunny day and avoid very windy days.

PACKAGING, CLASSIFICATION AND RECYCLING

• Some components of the pool are packed in plastic bags. To avoid all risks of suffocation, never allow babies or children to play with them.

• Thank you for respecting the European Union regulations and for collaborating in the protection of the environment. When you have installed your pool and all the components are assembled, we kindly ask you to sort and recycle all the packaging.

Loose parts available for 5 years from the date of product invoicing.

TECHNICAL SERVICES

Technical services are responsible for the installation of swimming pools, the sale of spare parts and accessories, and the maintenance of purifiers. Consult your nearest technical service.





MANUFACTURAS GRE S.A.

LANDABARRI BIDEA, 3, 6TH FLOOR, DOOR D
48940, LEIOA (BIZKAIA) SPAIN

www.grepool.com

WARRANTY NO.

We reserve the right to change completely or partially the characteristics of our items or the content of this document without prior notice.

01.06.26